

CLG2015~25A-S LIUGONG

FORKLIFT



 **LIUGONG**
TOUGH WORLD. TOUGH EQUIPMENT.

Guangxi LiuGong Machinery Co.,Ltd.
No. 1 Liutai Road, Liuzhou, Guangxi.
545007
PR China
T: +86 0772 3886124
E: overseas@liugong.com
HQ: www.liugong.com
MH: www.lgforklift.cn

Like and follow us:



LIUGONG 102018-ENG

The LiuGong series of logos herein, including but not limited to word marks, device marks, letter of alphabet marks and combination marks, as the registered trademarks of Guangxi LiuGong Group Co., Ltd. are used by Guangxi LiuGong Machinery Co., Ltd. with legal permission, and shall not be used without permission. Specifications and designs are subject to change without notice. Illustrations and pictures may include optional equipment and may not include all standard equipment. Equipment and options varies by regional availability.

TOUGH WORLD. TOUGH EQUIPMENT.

MAXIMIZE YOUR RETURN ON INVESTMENT

LiuGong's **customer-driven** design and **quality-focused** engineering creates lasting value that will deliver to your bottom line.

DEPENDABLE POWER

Unmatched performance driven by the World-Class Controller and Motor.

ERGONOMIC

Widen operating space and reasonable design can give the operator better experience.



COMFORTABLE

The full hydraulic steering system allows for smooth steering in an ergonomic seating posture, hence improved operator's comfort.

HIGH EFFICIENCY

Newly optimized hydraulic system provides excellent lifting speed, assisting you to finish work efficiently and safely.

GOOD VIEW

The mast and overhead guard are designed for wider view, as well as operator's comfort and safety.



MAINTAINING

The rear hood hood with big angle for easy to maintain.



PARTS

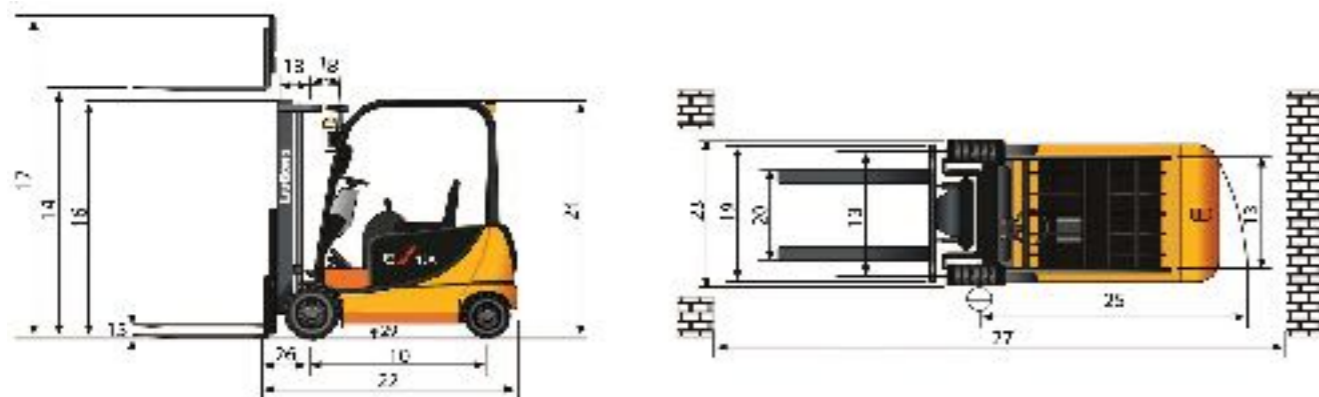
Using genuine LiuGong parts is key to keeping your costs low and your machine in top working order. Our extensive support network is always there when you need it, to maximize your business profitability.

AFTER SALES SERVICE

As a customer of LiuGong you can feel confident that our dealers and regional offices will be there to support you with training, service and maintenance needed throughout the life of your machine.

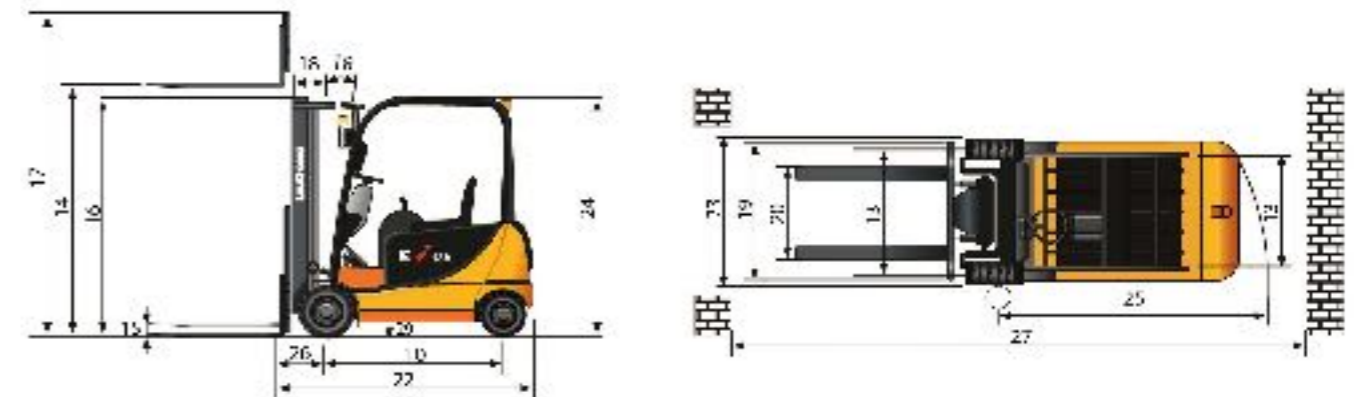
SPECIFICATION

General	Model	1		CLG2015A-S
	Power Type	2		Electric
	Base Capacity	3	@ rated load center	kg 1,500
	Load Center	4		mm 500
Weights	Service Weight	5	unloaded with minimum weight battery	kg 3,050
	Axle Load	6	loaded, front / rear	kg 4,034 / 1,526
		7	unloaded, front / rear	kg 516 / 1,524
Tires	Tires	8	Tire Type	Pneumatic
	Wheels	9	front / rear	2 / 2
	Wheelbase	10		mm 1,340
	Tire Size	11	front	6.50-10-10PR
		12	rear	5.00-8-8PR
Mast	Tread Width	13	front / rear	920 / 880
	Max. Fork Height	14	with std 2 - stage mast	mm 3,000
	Freelift	15	with std 2 - stage mast	mm 135
	Height, Upright Lowered	16	with std 2 - stage mast	mm 2,070
	Height, Upright Extended	17	with std 2 - stage mast	mm 4,115
	Mast Tilt, Fwd / Back	18	with std 2 - stage mast	deg 6° / 7°
	Carriage	19	width	mm 1,040
	Fork Spread	20	minimum / maximum	mm 222 / 1,010
	Fork Dimensions	21	T x W x L	mm 35 x 100 x 920
	Chassis	Length to Fork Face	22	with std 2 - stage mast
Overall Width		23		mm 1,180
Overhead Guard Height		24		mm 2,050
Turning Radius		25	minimum outside	mm 1,862
Fork Overhang		26	with std 2 - stage mast	mm 440
Right Angle Stack		27	add load length and clearance	mm 3,502
Ground Clearance		28	minimum loaded	mm 95
		29	center of wheelbase	mm 115
Battery Compartment		30	length / width / height	mm 494 / 912 / 675
Performance		Travel Speed	31	loaded / unloaded
	Lift Speed	32	loaded / unloaded	m/s 0.35 / 0.50
	Lower Speed	33	loaded / unloaded	m/s 0.52 / 0.48
	Max. Drawbar Pull	34	5 min. rating	kg 1,150
		35	60 min. rating	kg 219
Systems	Max. Gradeability	36	5 min. rating	% 20
	Controllers	37	drive / hydraulic (make, type)	Inmotion, AC
	Motors	38	drive output (60 min. rating)	kW 8
		39	hydraulic output (15 min. rating)	kW 15
	Battery	40	type	Lead Acid
		41	voltage	48
		42	max. capacity (6 hour rating)	Ah 420
	43	weight, minimum / maximum	kg 710 / 920	



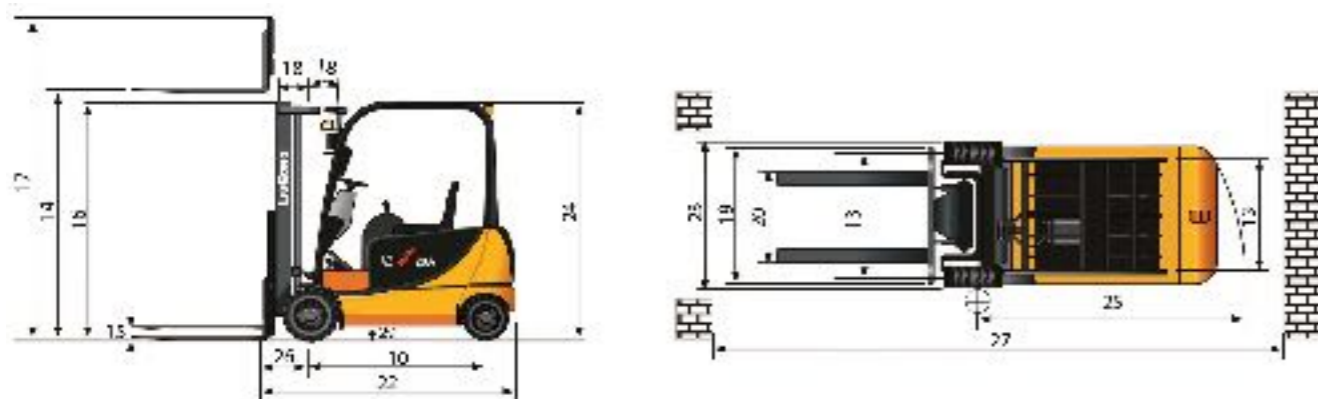
SPECIFICATION

General	Model	1		CLG2018A-S
	Power Type	2		Electric
	Base Capacity	3	@ rated load center	kg 1,800
	Load Center	4		mm 500
Weights	Service Weight	5	unloaded with minimum weight battery	kg 3,150
	Axle Load	6	loaded, front / rear	kg 4,442 / 1,717
		7	unloaded, front / rear	kg 508 / 1,433
Tires	Tires	8	Tire Type	Pneumatic
	Wheels	9	front / rear	2 / 2
	Wheelbase	10		mm 1,340
	Tire Size	11	front	6.50-10-10PR
		12	rear	5.00-8-8PR
Mast	Tread Width	13	front / rear	920 / 880
	Max. Fork Height	14	with std 2 - stage mast	mm 3,000
	Freelift	15	with std 2 - stage mast	mm 135
	Height, Upright Lowered	16	with std 2 - stage mast	mm 2,070
	Height, Upright Extended	17	with std 2 - stage mast	mm 4,115
	Mast Tilt, Fwd / Back	18	with std 2 - stage mast	deg 6° / 7°
	Carriage	19	width	mm 1,040
	Fork Spread	20	minimum / maximum	mm 222 / 1,010
	Fork Dimensions	21	T x W x L	mm 35 x 100 x 920
	Chassis	Length to Fork Face	22	with std 2 - stage mast
Overall Width		23		mm 1,180
Overhead Guard Height		24		mm 2,050
Turning Radius		25	minimum outside	mm 1,862
Fork Overhang		26	with std 2 - stage mast	mm 440
Right Angle Stack		27	add load length and clearance	mm 3,502
Ground Clearance		28	minimum loaded	mm 95
		29	center of wheelbase	mm 115
Battery Compartment		30	length / width / height	mm 494 / 912 / 675
Performance		Travel Speed	31	loaded / unloaded
	Lift Speed	32	loaded / unloaded	m/s 0.35 / 0.50
	Lower Speed	33	loaded / unloaded	m/s 0.52 / 0.48
	Max. Drawbar Pull	34	5 min. rating	kg 1,150
		35	60 min. rating	kg 214
Systems	Max. Gradeability	36	5 min. rating	% 20
	Controllers	37	drive / hydraulic (make, type)	Inmotion, AC
	Motors	38	drive output (60 min. rating)	kW 8
		39	hydraulic output (15 min. rating)	kW 15
	Battery	40	type	Lead Acid
		41	voltage	48
		42	max. capacity (6 hour rating)	Ah 480
	43	weight, minimum / maximum	kg 760 / 920	



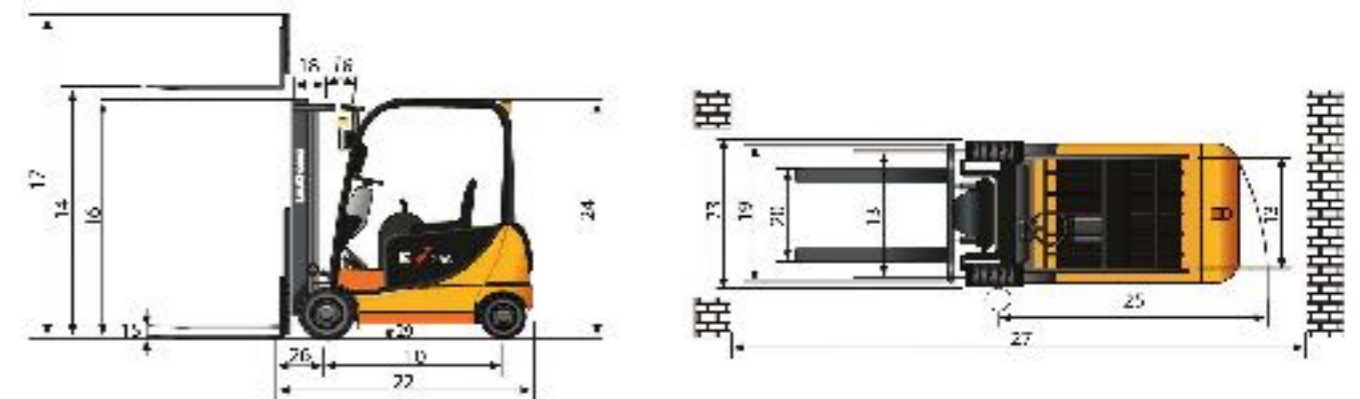
SPECIFICATION

General	Model	1		CLG2020A-S
	Power Type	2		Electric
	Base Capacity	3	@ rated load center	kg 2,000
Weights	Load Center	4		mm 500
	Service Weight	5	unloaded with minimum weight battery	kg 3,500
	Axle Load	6	loaded, front / rear	kg 4,841 / 1,660
		7	unloaded, front / rear	kg 659 / 1,840
	Tires	8	Tire Type	Pneumatic
Tires	Wheels	9	front / rear	2 / 2
	Wheelbase	10		mm 1,510
	Tire Size	11	front	23x9-10-16PR
		12	rear	18x7-8-14PR
Tread Width	13	front / rear	970 / 880	
Mast	Max. Fork Height	14	with std 2 - stage mast	mm 3,000
	Freelift	15	with std 2 - stage mast	mm 140
	Height, Upright Lowered	16	with std 2 - stage mast	mm 2,070
	Height, Upright Extended	17	with std 2 - stage mast	mm 4,115
	Mast Tilt, Fwd / Back	18	with std 2 - stage mast	deg 6° / 7°
		19	width	mm 1,040
	Fork Spread	20	minimum / maximum	mm 222 / 1,010
	Fork Dimensions	21	T x W x L	mm 40 x 100 x 1,070
Chassis	Length to Fork Face	22	with std 2 - stage mast	mm 2,260
	Overall Width	23		mm 1,200
	Overhead Guard Height	24		mm 2,050
	Turning Radius	25	minimum outside	mm 2,050
	Fork Overhang	26	with std 2 - stage mast	mm 445
	Right Angle Stack	27	add load length and clearance	mm 3,695
	Ground Clearance	28	minimum loaded	mm 95
		29	center of wheelbase	mm 115
	Battery Compartment	30	length / width / height	mm 655 / 880 / 680
	Performance	Travel Speed	31	loaded / unloaded
Lift Speed		32	loaded / unloaded	m/s 0.35 / 0.50
Lower Speed		33	loaded / unloaded	m/s 0.52 / 0.48
Max. Drawbar Pull		34	5 min. rating	kg 1,150
		35	60 min. rating	kg 204
Max. Gradeability		36	5 min. rating	% 13
Systems	Controllers	37	drive / hydraulic (make, type)	Inmotion, AC
	Motors	38	drive output (60 min. rating)	kW 8
		39	hydraulic output (15 min. rating)	kW 15
	Battery	40	type	Lead Acid
		41	voltage	48
42		max. capacity (6 hour rating)	Ah 560	
	43	weight, minimum / maximum	kg 900 / 1,200	



SPECIFICATION

General	Model	1		CLG2025A-S
	Power Type	2		Electric
	Base Capacity	3	@ rated load center	kg 2,500
Weights	Load Center	4		mm 500
	Service Weight	5	unloaded with minimum weight battery	kg 3,900
	Axle Load	6	loaded, front / rear	kg 5,698 / 1,648
		7	unloaded, front / rear	kg 702 / 2,252
	Tires	8	Tire Type	Pneumatic
Tires	Wheels	9	front / rear	2 / 2
	Wheelbase	10		mm 1,510
	Tire Size	11	front	23x9-10-16PR
		12	rear	18x7-8-14PR
Tread Width	13	front / rear	970 / 880	
Mast	Max. Fork Height	14	with std 2 - stage mast	mm 3,000
	Freelift	15	with std 2 - stage mast	mm 140
	Height, Upright Lowered	16	with std 2 - stage mast	mm 2,070
	Height, Upright Extended	17	with std 2 - stage mast	mm 4,115
	Mast Tilt, Fwd / Back	18	with std 2 - stage mast	deg 6° / 7°
		19	width	mm 1,040
	Fork Spread	20	minimum / maximum	mm 244 / 1,032
	Fork Dimensions	21	T x W x L	mm 40 x 122 x 1,070
Chassis	Length to Fork Face	22	with std 2 - stage mast	mm 2,350
	Overall Width	23		mm 1,200
	Overhead Guard Height	24		mm 2,050
	Turning Radius	25	minimum outside	mm 2,150
	Fork Overhang	26	with std 2 - stage mast	mm 445
	Right Angle Stack	27	add load length and clearance	mm 3,795
	Ground Clearance	28	minimum loaded	mm 95
		29	center of wheelbase	mm 115
	Battery Compartment	30	length / width / height	mm 655 / 880 / 680
	Performance	Travel Speed	31	loaded / unloaded
Lift Speed		32	loaded / unloaded	m/s 0.30 / 0.45
Lower Speed		33	loaded / unloaded	m/s 0.52 / 0.48
Max. Drawbar Pull		34	5 min. rating	kg 1,150
		35	60 min. rating	kg 194
Max. Gradeability		36	5 min. rating	% 13
Systems	Controllers	37	drive / hydraulic (make, type)	Inmotion, AC
	Motors	38	drive output (60 min. rating)	kW 8
		39	hydraulic output (15 min. rating)	kW 15
	Battery	40	type	Lead Acid
		41	voltage	48
42		max. capacity (6 hour rating)	Ah 560	
	43	weight, minimum / maximum	kg 900 / 1,200	

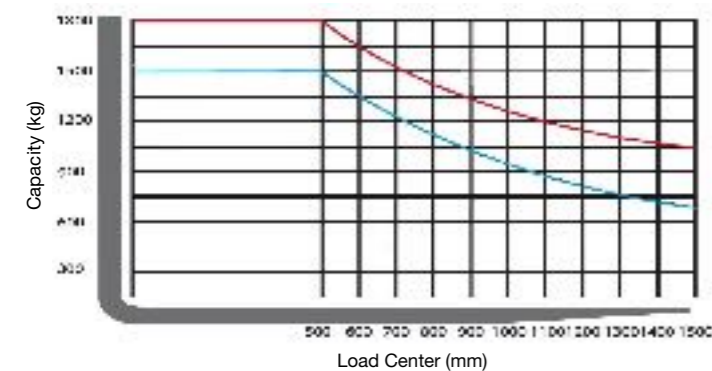


CAPACITY

Mast Type	Maximum Fork Height (MFH)	Mast Overall Lowered Height (OAL)	Free Lift with Load Backrest	Mast Tilt Angle (F/B)	Rated Load Capacity				Total Weight with Standard Forks	
					With Standard Forks		With Sideshifter			
					CLG2015A-S	CLG2018A-S	CLG2015A-S	CLG2018A-S	CLG2015A-S	CLG2018A-S
	mm	mm	mm	degree	kg @ (500mm LC)		kg @ (500mm LC)		Kg	
Standard 2-Stage	3000	2055	135	6 / 7	1500	1800	1400	1600	3050	3150
	3300	2205	135	6 / 7	1500	1800	1400	1600	3070	3170
	3500	2305	135	6 / 7	1450	1800	1350	1600	3090	3190
	4000	2605	135	6 / 7	1300	1700	1250	1500	3115	3215
	4500	2855	135	6 / 7	1200	1580	1150	1350	3160	3260
5000		135	6 / 7					3200	3300	

Mast Type	Maximum Fork Height (MFH)	Mast Overall Lowered Height (OAL)	Free Lift with Load Backrest*	Mast Tilt Angle (F/B)	Rated Load Capacity				Total Weight with Standard Forks	
					With Standard Forks		With Sideshifter			
					CLG2015A-S	CLG2018A-S	CLG2015A-S	CLG2018A-S	CLG2015A-S	CLG2018A-S
	mm	mm	mm	degree	kg @ (500mm LC)		kg @ (500mm LC)		Kg	
Full Free 2-Stage	2700	1920	830	6 / 7	1500	1800	1450	1600	3030	3130
	3000	2070	980	6 / 7	1500	1800	1400	1600	3050	3150
	3300	2220	1130	6 / 7	1500	1800	1400	1600	3070	3170
	3500	2320	1230	6 / 7	1450	1800	1350	1600	3090	3190
	4000	2620	1530	6 / 7	1300	1700	1250	1500	3115	3215

Mast Type	Maximum Fork Height (MFH)	Mast Overall Lowered Height (OAL)	Free Lift with Load Backrest*	Mast Tilt Angle (F/B)	Rated Load Capacity				Total Weight with Standard Forks	
					With Standard Forks		With Sideshifter			
					CLG2015A-S	CLG2018A-S	CLG2015A-S	CLG2018A-S	CLG2015A-S	CLG2018A-S
	mm	mm	mm	degree	kg @ (500mm LC)		kg @ (500mm LC)		Kg	
Full Free 3-Stage	4500	2135	1045	6 / 6	1200	1450	1050	1300	3445	3545
	4800	2235	1145	6 / 6	1100	1300	950	1200	3465	3565
	5000	2295	1205	6 / 6	1000	1150	850	1100	3475	3575
	5500	2465	1375	3 / 6	800	900	650	750	3560	3660
	6000	2945	1855	3 / 6	550	600	400	450	3675	3775



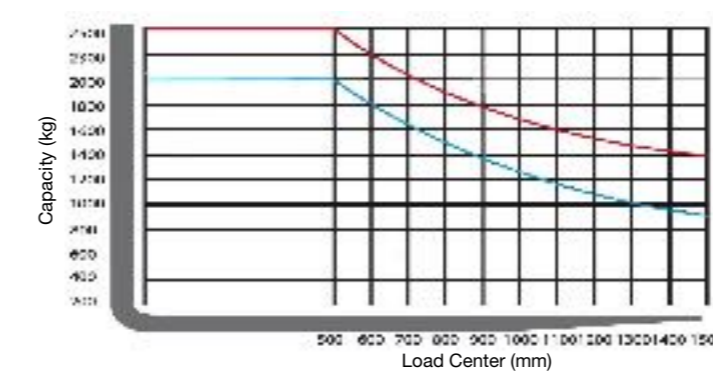
Note:
Vertical axle stands for load capacity while horizontal axle stands for load center, Load center is the distance counted from the front of the fork.,The base point of the standard load is the center point of the cubic with the same 1000mm dimension in length, width and height. The load capacity should be down if mast tilt forward or using non-standard forks of loading goods with extra width. Please realize the different load capacity between different load centers according to load chart.

CAPACITY

Mast Type	Maximum Fork Height (MFH)	Mast Overall Lowered Height (OAL)	Free Lift with Load Backrest	Mast Tilt Angle (F/B)	Rated Load Capacity				Total Weight with Standard Forks	
					With Standard Forks		With Sideshifter			
					CLG2020A-S	CLG2025A-S	CLG2020A-S	CLG2025A-S	CLG2020A-S	CLG2025A-S
	mm	mm	mm	degree	kg @ (500mm LC)		kg @ (500mm LC)		Kg	
Standard 2-Stage	3000	2070	140	6 / 7	2000	2500	1850	2300	3500	3900
	3300	2220	140	6 / 7	2000	2500	1850	2300	3520	3920
	3500	2320	140	6 / 7	2000	2500	1850	2300	3540	3940
	4000	2620	140	6 / 7	1890	2390	1700	2190	3565	3965
	4500	2870	140	6 / 7	1800	2300	1630	2100	3650	4050
5000		140	6 / 7					3670	4070	

Mast Type	Maximum Fork Height (MFH)	Mast Overall Lowered Height (OAL)	Free Lift with Load Backrest*	Mast Tilt Angle (F/B)	Rated Load Capacity				Total Weight with Standard Forks	
					With Standard Forks		With Sideshifter			
					CLG2020A-S	CLG2025A-S	CLG2020A-S	CLG2025A-S	CLG2020A-S	CLG2025A-S
	mm	mm	mm	degree	kg @ (500mm LC)		kg @ (500mm LC)		Kg	
Full Free 2-Stage	2700	1920	830	6 / 7	2000	2500	1850	2300	3480	3880
	3000	2070	980	6 / 7	2000	2500	1850	2300	3500	3900
	3300	2220	1130	6 / 7	2000	2500	1850	2300	3520	3920
	3500	2320	1230	6 / 7	2000	2500	1850	2300	3540	3940
	4000	2620	1530	6 / 7	1890	2390	1700	2190	3565	3965

Mast Type	Maximum Fork Height (MFH)	Mast Overall Lowered Height (OAL)	Free Lift with Load Backrest*	Mast Tilt Angle (F/B)	Rated Load Capacity				Total Weight with Standard Forks	
					With Standard Forks		With Sideshifter			
					CLG2020A-S	CLG2025A-S	CLG2020A-S	CLG2025A-S	CLG2020A-S	CLG2025A-S
	mm	mm	mm	degree	kg @ (500mm LC)		kg @ (500mm LC)		Kg	
Full Free 3-Stage	4500	2150	1060	6 / 6	1700	2100	1500	1900	3895	4295
	4800	2250	1160	6 / 6	1600	1850	1400	1650	3915	4315
	5000	2310	1220	6 / 6	1500	1600	1300	1400	3925	4325
	5500	2480	1390	3 / 6	1200	1300	1000	1100	4010	4410
	6000	2960	1870	3 / 6	900	1000	700	800	4125	4525



Note:
Vertical axle stands for load capacity while horizontal axle stands for load center, Load center is the distance counted from the front of the fork.,The base point of the standard load is the center point of the cubic with the same 1000mm dimension in length, width and height. The load capacity should be down if mast tilt forward or using non-standard forks of loading goods with extra width. Please realize the different load capacity between different load centers according to load chart.

STANDARD CONFIGURATION

CLG2015~18A-S

POWER SYSTEM

- Inmotion controler
- Forceful motor
- One-speed transmission
- High strength drive axle
- Reliable steering axle

HYDRAULIC SYSTEM

- 2-funtion hydraulic valve
- Hydrostatic steering
- Oil filter for intake and return

ELECTRIC SYSTEM

- 48V/420,480Ah lead-acid batteries
- 3 phase 380V charger
- SBE 175 Connector
- Front flood lights
- Front steering lights
- Rear combination lights
- Buzzer for back off

UNDERCARRIAGE

- High strength frame
- 1 piece counterweight
- Tow pin
- Air filled pneumatic drive tires
- Air filled pneumatic steer tires

MAST

- 3.0M Standard 2-stage mast
- 1040mm Wide Class II carriage
- Load backrest
- 920mm long Class II pallet forks

OPERATOR STATION

- Overhead guard
- Locks for battery hood
- Vinyl cushion seat with seat belt
- Display fault code, working hour
- Tilt steering column
- Brake and accelerator pedals
- Hand parking
- Floor mat

STANDARD CONFIGURATION

CLG2020~25A-S

POWER SYSTEM

- Inmotion controler
- Forceful motor
- One-speed transmission
- High strength drive axle
- Reliable steering axle

HYDRAULIC SYSTEM

- 2-funtion hydraulic valve
- Hydrostatic steering
- Oil filter for intake and return

ELECTRIC SYSTEM

- 48V/560Ah lead-acid batteries
- 3 phase 380V charger
- SBE 350 Connector
- Front flood lights
- Front steering lights
- Rear combination lights
- Buzzer for back off

UNDERCARRIAGE

- High strength frame
- 1 piece counterweight
- Tow pin
- Air filled pneumatic drive tires
- Air filled pneumatic steer tires

MAST

- 3.0M Standard 2-stage mast
- 1040mm Wide Class II carriage
- Load backrest
- 1070mm long Class II pallet forks

OPERATOR STATION

- Overhead guard
- Locks for battery hood
- Vinyl cushion seat with seat belt
- Display fault code, working hour
- Tilt steering column
- Brake and accelerator pedals
- Hand parking
- Floor mat

OPTIONAL CONFIGURATION

POWER SYSTEM

- SME or Curtis controler

HYDRAULIC SYSTEM

- 3-funtion hydraulic valve
- 4-funtion hydraulic valve

ELECTRIC SYSTEM

- 48V/540Ah lead-acid battery
- REMA 160 connector
- Rear working light
- Amber warning light
- License plate light

UNDERCARRIAGE

- Solid pneumatic drive tires
- Solid pneumatic steer tires

MAST

- Full free 2-stage mast
- Full free 3-stage mast
- Longer Class II pallet forks

OPERATION STATION

- Enclosed cabin
- Heater for cabin
- Operator fan
- Fire extinguisher
- Anti-corrosion lifting and tilting cylinde
- Protective cover for tilt cylinde
- Master key
- Half-suspension vinyl seat(tiancheng)
- Grammer full-suspension vinyl seat

OPTIONAL CONFIGURATION

POWER SYSTEM

- SME or Curtis controler

HYDRAULIC SYSTEM

- 3-funtion hydraulic valve
- 4-funtion hydraulic valve

ELECTRIC SYSTEM

- 48V/640Ah lead-acid battery
- 48V/720Ah lead-acid battery
- REMA 320 connector
- Rear working light
- Amber warning light
- License plate light

UNDERCARRIAGE

- Solid pneumatic drive tires
- Solid pneumatic steer tires

MAST

- Full free 2-stage mast
- Full free 3-stage mast
- Longer Class II pallet forks

OPERATION STATION

- Enclosed cabin
- Heater for cabin
- Operator fan
- Fire extinguisher
- Anti-corrosion lifting and tilting cylinde
- Protective cover for tilt cylinde
- Master key
- Half-suspension vinyl seat(tiancheng)
- Grammer full-suspension vinyl seat