

Engine
PSI 2.4L LPG

Capacities
4,000-5,000 lb (2,000-2,500 kg)

2020~25G-C

3-SERIES FORKLIFTS



TOUGH WORLD. TOUGH EQUIPMENT.

LiuGong Construction Machinery N.A,LLC.

22220 Merchants Way - Suite 100

Katy, TX 77449

USA

T: 281-579-8882

F: 281-579-8388

www.liugong.com

Like and follow us:



LG-PB-C-SERIES FL-122018-ENG-US

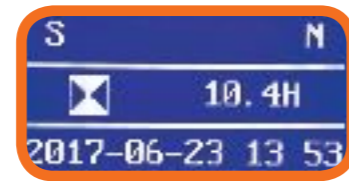
The LiuGong series of logos herein, including but not limited to word marks, device marks, letter of alphabet marks and combination marks, as the registered trademarks of Guangxi LiuGong Group Co., Ltd. are used by Guangxi LiuGong Machinery Co., Ltd. with legal permission, and shall not be used without permission. Specifications and designs are subject to change without notice. Illustrations and pictures may include optional equipment and may not include all standard equipment. Equipment and options varies by regional availability.

MODERN.ERGONOMIC.DURABLE.WELL SUPPORTED.

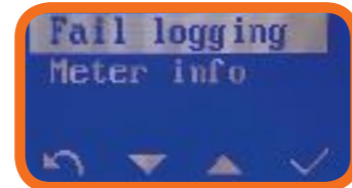
MODERN

The LiuGong 3-Series has the features and high performance that you've come to expect in a modern forklift. Our new aggressive styling reflects LiuGong's "DNA" going forward. These full featured machines will exceed your productivity expectations!

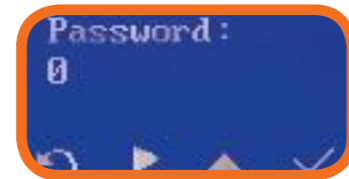
- HIGH PRODUCTIVITY
- INCREASED LIFT SPEEDS
- CANBUS ELECTRICAL SYSTEM
- ONBOARD DIAGNOSTICS
- MAINTENANCE REMINDERS
- LCD INSTRUMENT PANEL
- OPERATOR PASSCODE FEATURE
- WORKING MODE SELECT
- TRAVELING SPEED LIMIT



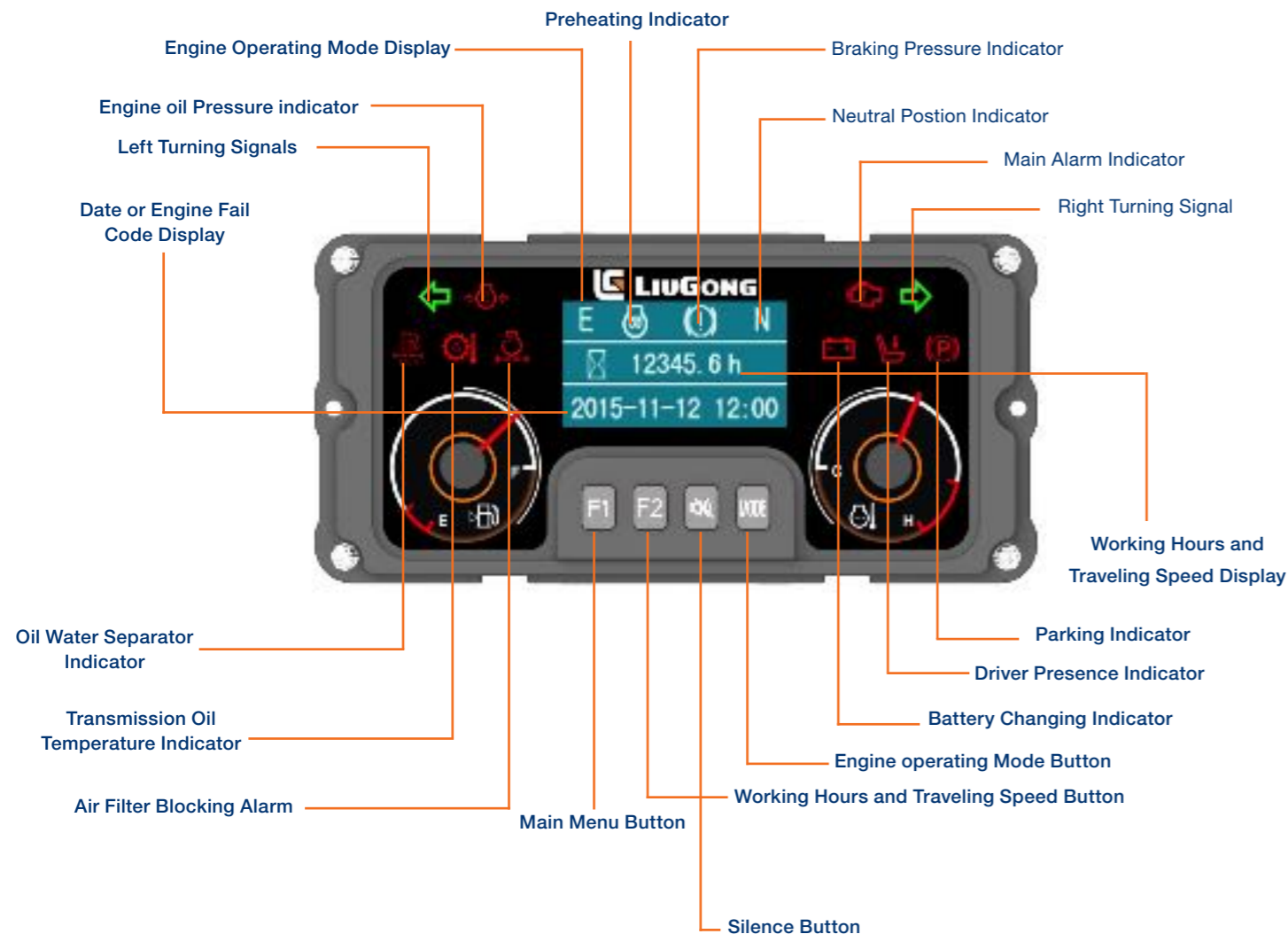
Normal Display



Fault Code

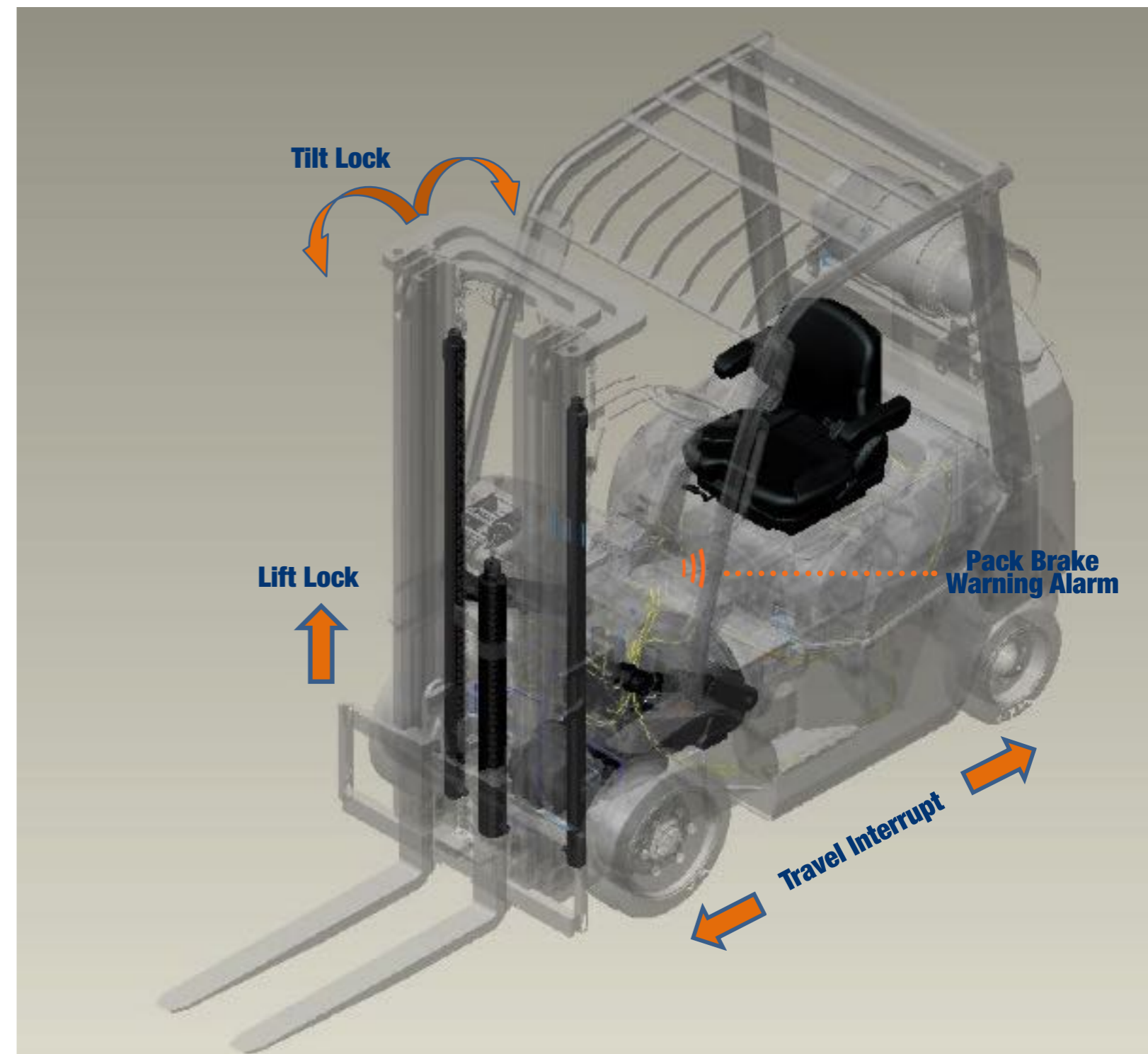


Password Login



OPERATORS PRESENCE SENSING SYSTEM(OPS)

This system uses a switch sensor built into the operator's seat to detect the presence of the operator. In case the operator is not in the normal operating position, travel power is interrupted, and load handling operations are stopped to prevent unintentional movements. A warning alarm will sound if the operator leaves the machine without engaging the park brake.



ERGONOMIC

LiuGong's customer driven design maximizes operator **comfort** and **productivity**.

our goal is to have the most comfortable operator work space in the industry.



STEERING

Tilting steering column with auto-return to preferred position.
Small diameter steering wheel for easy control.



SEAT

Wide-bodies full suspension seat.



OPERATION

Ergonomic layout for comfortable operation.
Operation space increase 20%.



PARKING

Parking brake is easy to reach, easy to apply and release.
Reduced operating power by 15%.



HANDLE

Easy to reach large front grab handles.

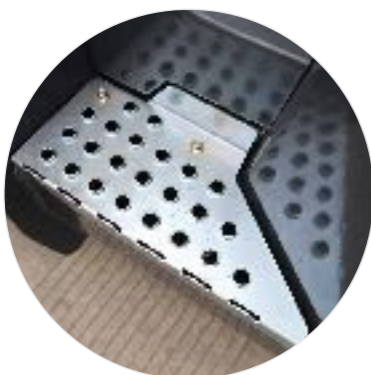


REAR HANDLE

Rear handle with horn for safety.

VISIBILITY

Excellent rear visibility.



STEPS

Wide and low access steps.



PEDALS

Lower 40% effort service brake pedals.



DURABLE

The 3-Series is **tough and durable**, using quality components and **innovative design**. The PSI 2.4 L LPG engine is highly efficient and easy to maintain. Also have a proven track record for solid dependability.

POWERFUL PERFORMANCE

- PSI 4G64 LPG EPA certified engine 2.4L(62hp).



HYDRAULIC SYSTEM

The new hydraulic system revolves around our new hydraulic control valve, which is designed to optimize the hydraulic performance. The new system achieves 25% faster maximum lift speed and 40% faster lift speed at engine idle as the hydraulic pump is now driven off the transmission PTO.



TAPERED ROLLER BEARINGS

Tough and durable, able to withstand multi-axial loads applied to steer axle.



IMPROVED BRAKE SYSTEM

Our new low effort brake system design minimizes exposure to contamination resulting in improved reliability. Larger surface brake pads provide enhanced performance.



PARK BRAKE DRIVE THROUGH PROTECTION

Electronic lock out of the transmission when the park brake is set to protect the transmission.



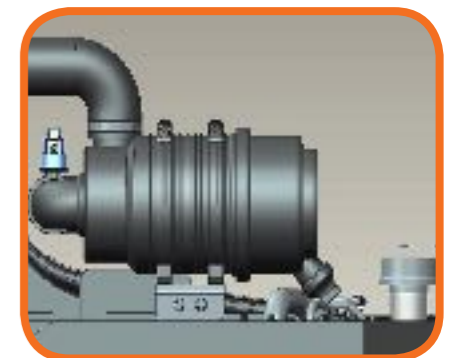
LED LIGHTS

LED flood lights and LED rear combination lights provide long life and improved lighting.



AIR FILTER BLOCKING

Protects the engine by alerting the operator that the engine airfilter requires service.



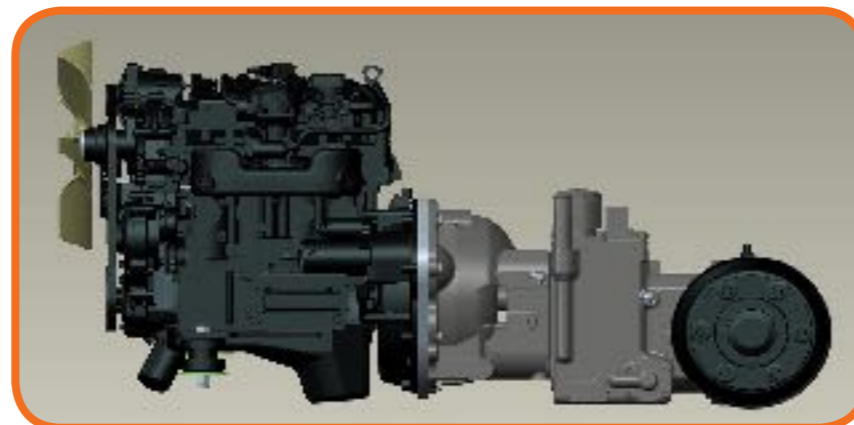
2-FLUID COOLINE SYSTEM

Designed for ambient temperatures up to 113°F to keep running when the going gets hot. Highly efficient and clog resistant keeps the key systems running cool. Electronic over temperature sensors protect your investment by reducing performance in the off chance of overheating.



TRANSMISSION

This engines are coupled to our new transmission which features improved power efficiency and active cooling system. Increased heat dissipation by up to 30% and suitable for harsh conditions up to 113°F(45°C).



WELL SUPPORTED

LiuGong know that **easy serviceability** and **aftersales** support is critical for maintaining machine uptime. The new 3-Series is designed for easy service access and quick diagnostics to ease maintenance and repair. Our factory trained dealer network, supported by LiuGong Regional Product Support Representatives, have the technical knowledge to keep your equipment operating at peak efficiency. These professionals are, in turn, supported by Technical Product Specialists at LiuGong North America HQ to support any issues which need additional attention. LiuGong North America also maintains a very **significant park stock** near Houston, Texas to quickly deliver the parts needed to support your operation.



SERVICEABILITY

- No-tools air filter maintenance
- Complete access to cooling system
- Fuse box inspection at a glance
- Serviceability and daily checks are easy with the one step column fold up and engine cover which opens 85 degrees. All daily checks are within easy reach of the operator and the floor plate can be easily removed if necessary.
- 80% commonality of parts

EASY TANK EXCHANGE

There is a great serviceability all around the 3-Series machines. LPG models come standard with swing-out, fold down tank brackets making LP tank replacement simple and easy. The tank bracket locks in open and closed positions for safety.

STANDARD CONFIGURATION

POWER SYSTEM

- PSI 4G64 LPG engine
- High strength drive axle
- Heavy duty steering axle
- Air filter with dual-elements
- Radiator
- Low exhaust

HYDRAULIC SYSTEM

- 2-function hydraulic valve
- Hydrostatic steering
- Oil filter for intake and return

ELECTRIC SYSTEM

- 1 batteries
- LED front combination lights
- LED rear combination lights
- Buzzer for back off

UNDERCARRIAGE

- High strength frame
- 1 piece counterweight
- Tow pin
- Cushion drive tires
- Cushion steer tires

MAST

- 3.0M Standard 2-stage mast
- 36.2 in(920mm) Wide Class II carriage
- Load backrest
- 42.1 in(1,070mm) long Class II pallet forks

OPERATOR STATION

- Overhead guard
- Locks for engine hood
- Full-suspension seat
- Ignition lock
- LCD display with OPS, air filter restriction alarms, fuel rate, water temperature, working hour, date or error code etc.
- Tilt steering column
- Inching, brake and accelerator pedals
- Hand parking
- Floor mat
- Rear handle with horn.

OPTIONAL CONFIGURATION

POWER SYSTEM

- Elevated air pre-cleaner
- 2nd refined air filter

HYDRAULIC SYSTEM

- 3-function hydraulic valve
- 4-function hydraulic valve

ELECTRIC SYSTEM

- Rear working light
- Amber warning light
- Rear warning blue light

MAST

- Full free 3-stage mast
- Longer Class II pallet forks

OPERATION STATION

- Operator fan
- Fire extinguisher
- Protective cover for tilt cylinder
- Grammer full-suspension vinyl seat

ATTACHMENTS

- Sideshifter
- Fork positioner
- Carton clamps

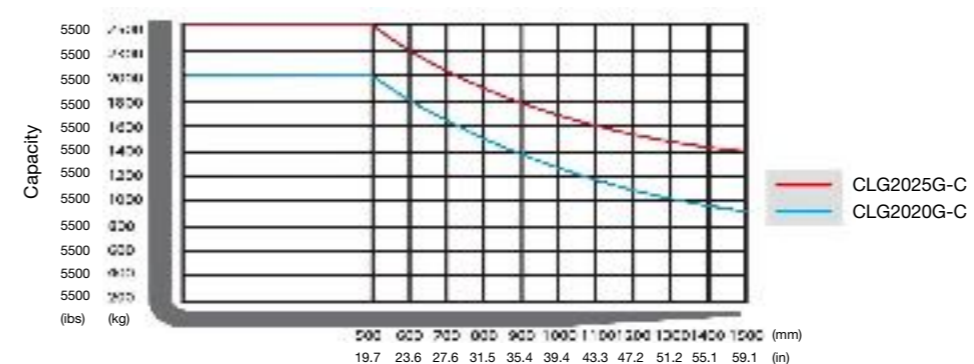
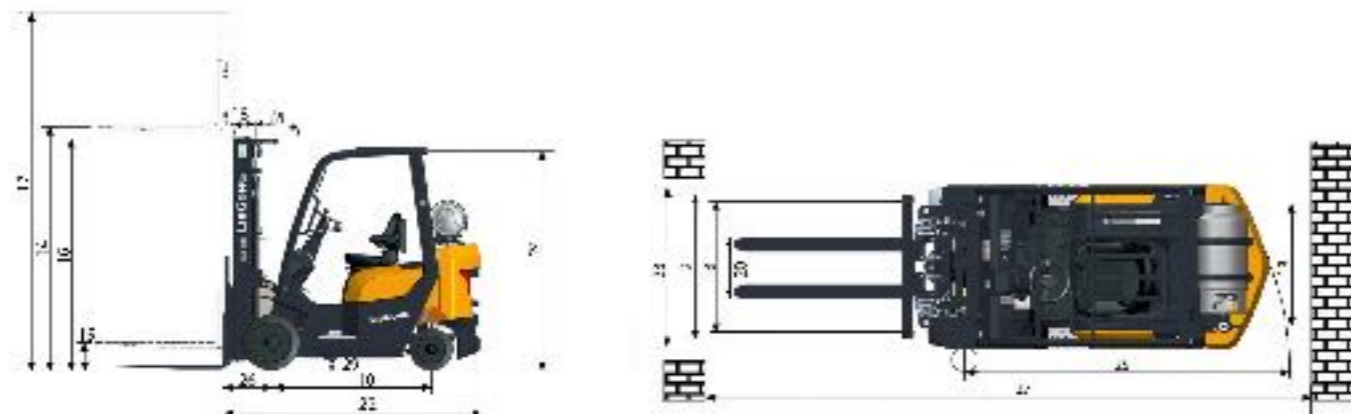
SPECIFICATIONS

General	Model	1		CLG2020G-C	CLG2025G-C		
	Power Type	2		LPG	LPG		
Base Capacity	3	@rated load center	ibs	4,000	5,000		
Load Center	4		in	24	24		
Weights	Service Weight	5	unloaded	ibs	7,370	8,140	
	Axle Load	6	loaded / unloaded, front	ibs	10,261 / 3,117	11,867 / 2,849	
		7	loaded / unloaded, rear	ibs	1,399 / 4,253	1,773 / 5,291	
Tires	Tire Type	8			Cushion	Cushion	
	Wheels	9	front / rear		2 / 2	2 / 2	
	Wheelbase	10		in	58.5	58.5	
	Tire Size	11	front		21x7-15	21x7-15	
Mast		12	rear		16x5x10-1/2	16x5x10-1/2	
	Tread Width	13	front / rear	in	35.0 / 36.2	35.0 / 36.2	
	Max. Fork Height	14	with std 2-stage mast	in	118.1	118.1	
	Free lift	15	with std 2-stage mast	in	5.5	5.5	
	Height, Upright Lowered	16	with std 2-stage mast	in	83.9	83.9	
	Height, Upright Extended	17	with std 2-stage mast	in	161.3	161.3	
	Mast Tilt, Fwd/Back	18	with std 2-stage mast	deg	6° / 12°	6° / 12°	
	Carriage	19	width	in	36.2	36.2	
	Fork Spread	20	minimum / maximum	in	8.7 / 34.7	8.7 / 34.7	
	Fork Dimensions	21	T x W x L	in	1.6x 3.9 x 42.1	1.6x 4.8 x 42.1	
Chassis	Length to Fork Face	22	with std 2-stage mast	in	90.2	94.1	
	Overall Width	23		in	43.3	43.3	
	Overhead Guard Height	24		in	83.5	83.5	
	Turning Radius	25	minimum outside	in	76.8	76.8	
	Fork Overhang	26	with std 2-stage mast	in	16.7	16.7	
	Right Angle Stack	27	add load length and clearance	in	141.5	143.7	
Performance	Ground Clearance	28	minimum loaded	in	3.5	3.5	
		29	center of wheelbase	in	5.5	5.5	
	Travel Speed	30	loaded / unloaded	km/h	17 / 17.5	17 / 17.5	
	Lift Speed	31	loaded / unloaded	m/s	0.60 / 0.65	0.60 / 0.65	
Systems	Lower Speed	32	loaded / unloaded	m/s	0.50 / 0.50	0.50 / 0.50	
	Max. Drawbar Pull	33	loaded	ibs	4,400	4,400	
	Max. Gradeability	34	loaded / unloaded	%	35 / 25	35 / 22	
	Brakes		35	service		Foot / Hyd	Foot / Hyd
		36	parking		Hand / Mech	Hand / Mech	
Manufacturer			37	manufacturer		Mitsubishi	Mitsubishi
			38	model		4G64	4G64
			39	emission compliance		EPA 4F	EPA 4F
Engine			40	cylinders		4	4
			41	displacement	liter	2.40	2.40
			42	rated power	kw/rpm	46 / 2,700	46 / 2,700
			43	Max. torque	N.m/rpm	168 / 1,600	168 / 1,600

CAPACITY

Mast type	Maximum Fork Height (MFH)	Mast Overall Lowered Height (OAL)	Free Lift with Load Backrest	Mast Tilt Angle (F/B)	Rated Load Capacity				Total Weight with Standard Forks	
					With Standard Forks		With Sideshifter		Total Weight with Standard Forks	
					2020G-C	2025G-C	2020G-C	2025G-C	2020G-C	2025G-C
	in (mm)	in (mm)	in (mm)	degree	ibs (kg) @ (24in \500mm LC)		ibs (kg) @ (24in \500mm LC)		ibs (Kg)	
Standard 2-Stage	118.1 (3000)	83.9 (2130)	5.5 (140)	6 / 12	4000 (2000)	5000 (2500)	4000 (2000)	5000 (2500)	7370 (3350)	8140 (3700)

Mast type	Maximum Fork Height (MFH)	Mast Overall Lowered Height (OAL)	Free Lift with Load Backrest*	Mast Tilt Angle (F/B)	Rated Load Capacity				Total Weight with Standard Forks	
					With Standard Forks		With Sideshifter		Total Weight with Standard Forks	
					2020G-C	2025G-C	2020G-C	2025G-C	2020G-C	2025G-C
	in (mm)	in (mm)	in (mm)	degree	ibs (kg) @ (24in \500mm LC)		ibs (kg) @ (24in \500mm LC)		ibs (Kg)	
Full Free 3-Stage	177.2 (4500)	84.4 (2145)	42.8 (1087)	6 / 5	3946 (1790)	4905 (2225)	3726 (1690)	4519 (2050)	7826 (3550)	8444 (3830)
	185.0 (4700)	87.0 (2210)	44.7 (1135)	6 / 5	3946 (1790)	4850 (2200)	3682 (1670)	4464 (2050)	7915 (3590)	8532 (3870)
	196.9 (5000)	90.9 (2310)	49.5 (1257)	6 / 5	3417 (1550)	4740 (2150)	3186 (1445)	3913 (1775)	8036 (3645)	8653 (3925)
	216.5 (5500)	104.3 (2650)	58.1 (1477)	6 / 5	-	-	-	-	8223 (3730)	8840 (4010)
	236.2 (6000)	112.2 (2850)	71.1 (1807)	6 / 5	-	-	-	-	8366 (3795)	8984 (4075)



Note:
 Vertical axle stands for load capacity while horizontal axle stands for load center, Load center is the distance counted from the front of the fork. The base point of the standard load is the center point of the cubic with the same 1000mm(39.4in) dimension in length, width and height. The load capacity should be down if mast tilt forward or using non-standard forks of loading goods with extra width. Please realize the different load capacity between different load centers according to load chart.