

CLG2030~35A-S LIUGONG

FORKLIFT



Guangxi LiuGong Machinery Co.,Ltd.
No. 1 Liutai Road, Liuzhou, Guangxi.
545007
PR China
T: +86 0772 3886124
E: overseas@liugong.com
HQ: www.liugong.com
MH: www.lgforklift.cn

Like and follow us:



LIUGONG 102018-ENG

The LiuGong series of logos herein, including but not limited to word marks, device marks, letter of alphabet marks and combination marks, as the registered trademarks of Guangxi LiuGong Group Co., Ltd. are used by Guangxi LiuGong Machinery Co., Ltd. with legal permission, and shall not be used without permission. Specifications and designs are subject to change without notice. Illustrations and pictures may include optional equipment and may not include all standard equipment. Equipment and options varies by regional availability.

TOUGH WORLD. TOUGH EQUIPMENT.

MAXIMIZE YOUR RETURN ON INVESTMENT

LiuGong's **customer-driven** design and **quality-focused** engineering creates lasting value that will deliver to your bottom line.

DEPENDABLE POWER

Unmatched performance driven by the World-Class Controller and Motor.

ERGONOMIC

Widen operating space and reasonable design can give the operator better experience.



COMFORTABLE

The full hydraulic steering system allows for smooth steering in an ergonomic seating posture, hence improved operator's comfort.

HIGH EFFICIENCY

Newly optimized hydraulic system provides excellent lifting speed, assisting you to finish work efficiently and safely.

GOOD VIEW

The mast and overhead guard are designed for wider view, as well as operator's comfort and safety.



MAINTAINING

The detachable rear hood is very easy for maintain and inspection.



PARTS

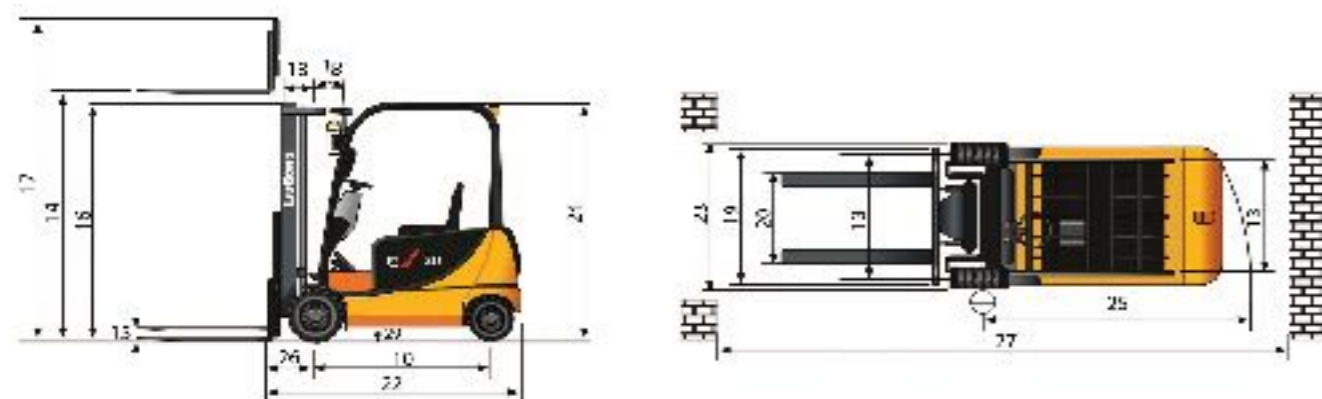
Using genuine LiuGong parts is key to keeping your costs low and your machine in top working order. Our extensive support network is always there when you need it, to maximize your business profitability.

AFTER SALES SERVICE

As a customer of LiuGong you can feel confident that our dealers and regional offices will be there to support you with training, service and maintenance needed throughout the life of your machine.

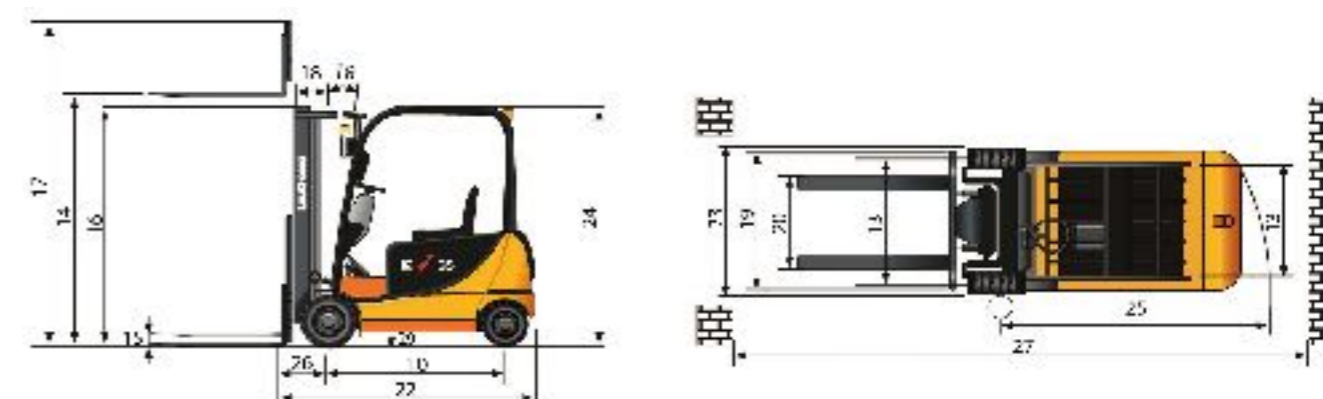
SPECIFICATION

General	Model	1		CLG2030A-S
	Power Type	2		Electric
	Base Capacity	3	@ rated load center	kg 3,000
	Load Center	4		mm 500
Weights	Service Weight	5	unloaded with minimum weight battery	kg 4,800
	Axle Load	6	loaded, front / rear	kg 7,085 / 2,299
		7	unloaded, front / rear	kg 715 / 2,501
Tires	Tires	8	Tire Type	Pneumatic
	Wheels	9	front / rear	2 / 2
	Wheelbase	10		mm 1,700
	Tire Size	11	front	28x9-15-14PR
		12	rear	6.5-10-10PR
Mast	Tread Width	13	front / rear	1,005 / 980
	Max. Fork Height	14	with std 2 - stage mast	mm 3,000
	Freelift	15	with std 2 - stage mast	mm 80
	Height, Upright Lowered	16	with std 2 - stage mast	mm 2,085
	Height, Upright Extended	17	with std 2 - stage mast	mm 4,145
	Mast Tilt, Fwd / Back	18	with std 2 - stage mast	deg 6° / 12°
	Carriage	19	width	mm 1,100
	Fork Spread	20	minimum / maximum	mm 272 / 1,072
	Fork Dimensions	21	T x W x L	mm 45 x 122 x 1,070
	Chassis	Length to Fork Face	22	with std 2 - stage mast
Overall Width		23		mm 1,264
Overhead Guard Height		24		mm 2,230
Turning Radius		25	minimum outside	mm 2,300
Fork Overhang		26	with std 2 - stage mast	mm 475
Right Angle Stack		27	add load length and clearance	mm 3,975
Ground Clearance		28	minimum loaded	mm 140
		29	center of wheelbase	mm 155
Battery Compartment		30	length / width / height	mm 680 / 1,138 / 790
Performance		Travel Speed	31	loaded / unloaded
	Lift Speed	32	loaded / unloaded	m/s 0.30 / 0.45
	Lower Speed	33	loaded / unloaded	m/s 0.46 / 0.40
	Max. Drawbar Pull	34	5 min. rating	kg 1,633
		35	60 min. rating	kg 336
Systems	Max. Gradeability	36	5 min. rating	% 15
	Controllers	37	drive / hydraulic (make, type)	Inmotion, AC
	Motors	38	drive output (60 min. rating)	kW 12
		39	hydraulic output (15 min. rating)	kW 14
	Battery	40	type	Lead Acid
		41	voltage	80
		42	max. capacity (6 hour rating)	Ah 500
	43	weight, minimum / maximum	kg 1,440-1,740	



SPECIFICATION

General	Model	1		CLG2035A-S
	Power Type	2		Electric
	Base Capacity	3	@ rated load center	kg 3,500
	Load Center	4		mm 500
Weights	Service Weight	5	unloaded with minimum weight battery	kg 5,200
	Axle Load	6	loaded, front / rear	kg 7,859 / 2,329
		7	unloaded, front / rear	kg 881 / 2,871
Tires	Tires	8	Tire Type	Pneumatic
	Wheels	9	front / rear	2 / 2
	Wheelbase	10		mm 1,700
	Tire Size	11	front	28x9-15-14PR
		12	rear	6.5-10-10PR
Mast	Tread Width	13	front / rear	1,005 / 980
	Max. Fork Height	14	with std 2 - stage mast	mm 3,000
	Freelift	15	with std 2 - stage mast	mm 80
	Height, Upright Lowered	16	with std 2 - stage mast	mm 2,085
	Height, Upright Extended	17	with std 2 - stage mast	mm 4,145
	Mast Tilt, Fwd / Back	18	with std 2 - stage mast	deg 6° / 12°
	Carriage	19	width	mm 1,100
	Fork Spread	20	minimum / maximum	mm 272 / 1,072
	Fork Dimensions	21	T x W x L	mm 50 x 122 x 1,070
	Chassis	Length to Fork Face	22	with std 2 - stage mast
Overall Width		23		mm 1,264
Overhead Guard Height		24		mm 2,230
Turning Radius		25	minimum outside	mm 2,300
Fork Overhang		26	with std 2 - stage mast	mm 480
Right Angle Stack		27	add load length and clearance	mm 4,060
Ground Clearance		28	minimum loaded	mm 140
		29	center of wheelbase	mm 155
Battery Compartment		30	length / width / height	mm 680 / 1,138 / 790
Performance		Travel Speed	31	loaded / unloaded
	Lift Speed	32	loaded / unloaded	m/s 0.26 / 0.45
	Lower Speed	33	loaded / unloaded	m/s 0.46 / 0.40
	Max. Drawbar Pull	34	5 min. rating	kg 1,531
		35	60 min. rating	kg 336
Systems	Max. Gradeability	36	5 min. rating	% 15
	Controllers	37	drive / hydraulic (make, type)	Inmotion, AC
	Motors	38	drive output (60 min. rating)	kW 12
		39	hydraulic output (15 min. rating)	kW 14
	Battery	40	type	Lead Acid
		41	voltage	80
		42	max. capacity (6 hour rating)	Ah 500
	43	weight, minimum / maximum	kg 1,440-1,740	

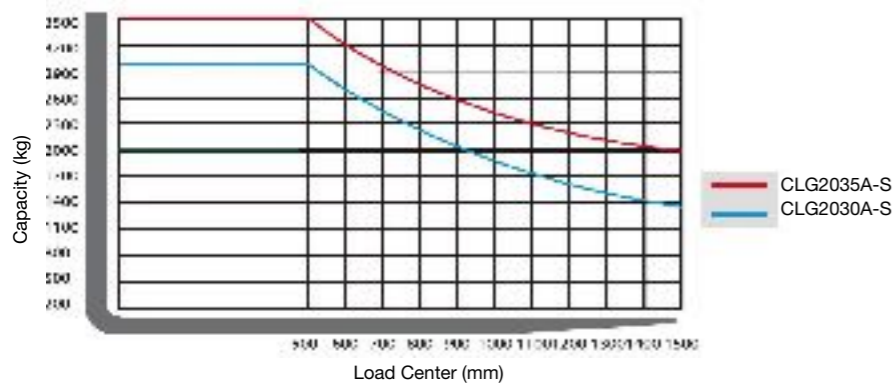


CAPACITY

Mast type	Maximum Fork Height (MFH)	Mast Overall Lowered Height (OAL)	Free Lift with Load Backrest	Mast Tilt Angle (F/B)	Rated Load Capacity				Total Weight with Standard Forks	
					With Standard Forks		With Sideshifter			
					CLG2030A-S	CLG2035A-S	CLG2030A-S	CLG2035A-S	CLG2030A-S	CLG2035A-S
	mm	mm	mm	degree	kg @ (500mm LC)		kg @ (500mm LC)		Kg	
Standard 2-Stage	3000	2120	145	6 / 12	3000	3500	2750	3250	4800	5200
	3300	2270	145	6 / 12	3000	3450	2750	3200	4825	5225
	3500	2370	145	6 / 12	2750	3250	2600	3100	4850	5250
	4000	2670	145	6 / 6	2600	3100	2500	3000	4940	5340
	4500	2920	145	6 / 6	2400	2900	2300	2800	4985	5385
	5000	3220	145	3 / 6	2200	2700	2100	2600	5030	5430
	5500	3670	145	3 / 6	2100	2600	2000	2500	5080	5480
6000	4020	145	3 / 6	2000	2500	1900	2400	5125	5525	

Mast type	Maximum Fork Height (MFH)	Mast Overall Lowered Height (OAL)	Free Lift with Load Backrest*	Mast Tilt Angle (F/B)	Rated Load Capacity				Total Weight with Standard Forks	
					With Standard Forks		With Sideshifter			
					CLG2030A-S	CLG2035A-S	CLG2030A-S	CLG2035A-S	CLG2030A-S	CLG2035A-S
	mm	mm	mm	degree	kg @ (500mm LC)		kg @ (500mm LC)		Kg	
Full Free 2-Stage	3000	2120	964	6 / 12	3000	3500	2750	3250	4840	5240
	3500	2370	1214	6 / 12	2750	3250	2600	3100	4890	5290

Mast type	Maximum Fork Height (MFH)	Mast Overall Lowered Height (OAL)	Free Lift with Load Backrest*	Mast Tilt Angle (F/B)	Rated Load Capacity				Total Weight with Standard Forks	
					With Standard Forks		With Sideshifter			
					CLG2030A-S	CLG2035A-S	CLG2030A-S	CLG2035A-S	CLG2030A-S	CLG2035A-S
	mm	mm	mm	degree	kg @ (500mm LC)		kg @ (500mm LC)		Kg	
Full Free 3-Stage	3600	1815	659	6 / 6	2650	3150	2450	2950	4935	5335
	4000	1950	794	6 / 6	2450	2950	2250	2750	4970	5370
	4500	2120	964	6 / 6	2250	2750	2050	2550	5010	5410
	4700	2190	1034	6 / 6	2100	2600	1950	2350	5030	5430
	5000	2295	1134	3 / 6	1900	2400	1600	2100	5180	5580
	5500	2450	1304	3 / 6	1700	2200	1450	1950	5360	5760
	6000	2630	1474	3 / 6	1500	2000	1300	1800	5410	5810



Note:
Vertical axle stands for load capacity while horizontal axle stands for load center, Load center is the distance counted from the front of the fork,.The base point of the standard load is the center point of the cubic with the same 1000mm dimension in length, width and height. The load capacity should be down if mast tilt forward or using non-standard forks of loading goods with extra width. Please realize the different load capacity between different load centers according to load chart.

STANDARD CONFIGURATION

POWER SYSTEM

- Inmotion controler
- Forceful motor
- One-speed transmission
- High strength drive axle
- Reliable steering axle

HYDRAULIC SYSTEM

- 2-funtion hydraulic valve
- Hydrostatic steering
- Oil filter for intake and return

ELECTRIC SYSTEM

- 80V/500Ah lead-acid batteries
- 3 phase 380V charger
- SBE 350 Connector
- Front flood lights
- Front steering lights
- Rear combination lights
- Buzzer for back off

UNDERCARRIAGE

- High strength frame
- 1 piece counterweight
- Tow pin
- Air filled pneumatic drive tires
- Air filled pneumatic steer tires

MAST

- 3.0M Standard 2-stage mast
- 1100mm Wide Class III carriage
- Load backrest
- 1070mm long Class III pallet forks

OPERATOR STATION

- Overhead guard
- Locks for battery hood
- Vinyl cushion seat with seat belt
- Display fault code, working hour
- Tilt steering column
- Brake and accelerator pedals
- Hand parking
- Floor mat

OPTIONAL CONFIGURATION

POWER SYSTEM

- Curtis controler

UNDERCARRIAGE

- Solid pneumatic drive tires
- Solid pneumatic steer tires

HYDRAULIC SYSTEM

- 3-funtion hydraulic valve
- 4-funtion hydraulic valve

MAST

- Full free 2-stage mast
- Full free 3-stage mast
- Longer Class III pallet forks

ELECTRIC SYSTEM

- 80V/600Ah lead-acid battery
- REMA 320 connector
- Rear working light
- Amber warning light
- License plate light

OPERATION STATION

- Enclosed cabin
- Heater for cabin
- Operator fan
- Fire extinguisher
- Anti-corrosion lifting and tilting cylinde
- Protective cover for tilt cylinde
- Master key
- Half-suspension vinyl seat(tiancheng)
- Grammer full-suspension vinyl seat