

CLG2040H-50H
FORKLIFT **(LIGHT)**



Guangxi Liugong Machinery Co.,Ltd.
No. 1 Liutai Road, Liuzhou, Guangxi.
545007
PR China
T: +86 0772 3886124
E: overseas@liugong.com
HQ: www.liugong.com
MH: www.lgforklift.cn

Like and follow us:



LIUGONG 102018-ENG

The Liugong series of logos herein, including but not limited to word marks, device marks, letter of alphabet marks and combination marks, as the registered trademarks of Guangxi Liugong Group Co., Ltd. are used by Guangxi Liugong Machinery Co., Ltd. with legal permission, and shall not be used without permission. Specifications and designs are subject to change without notice. Illustrations and pictures may include optional equipment and may not include all standard equipment. Equipment and options varies by regional availability.

TOUGH WORLD. TOUGH EQUIPMENT.

MAXIMIZE YOUR RETURN ON INVESTMENT

LiuGong's **customer-driven** design and **quality-focused** engineering creates lasting value that will deliver to your bottom line.

DEPENDABLE POWER

Unmatched performance driven by the World-Class Engine.

ERGONOMIC

Widen operating space and reasonable design can give the operator better experience.



COMFORTABLE

The full hydraulic steering system allows for smooth steering in an ergonomic seating posture, hence improved operator's comfort.

HIGH EFFICIENCY

Newly optimized hydraulic system provides excellent lifting speed, assisting you to finish work efficiently and safely.

GOOD VIEW

The mast and overhead guard are designed for wider view, as well as operator's comfort and safety.



MAINTAINING

The engine hood and rear hood with big angle for easy to maintain.



PARTS

Using genuine LiuGong parts is key to keeping your costs low and your machine in top working order. Our extensive support network is always there when you need it, to maximize your business profitability.

AFTER SALES SERVICE

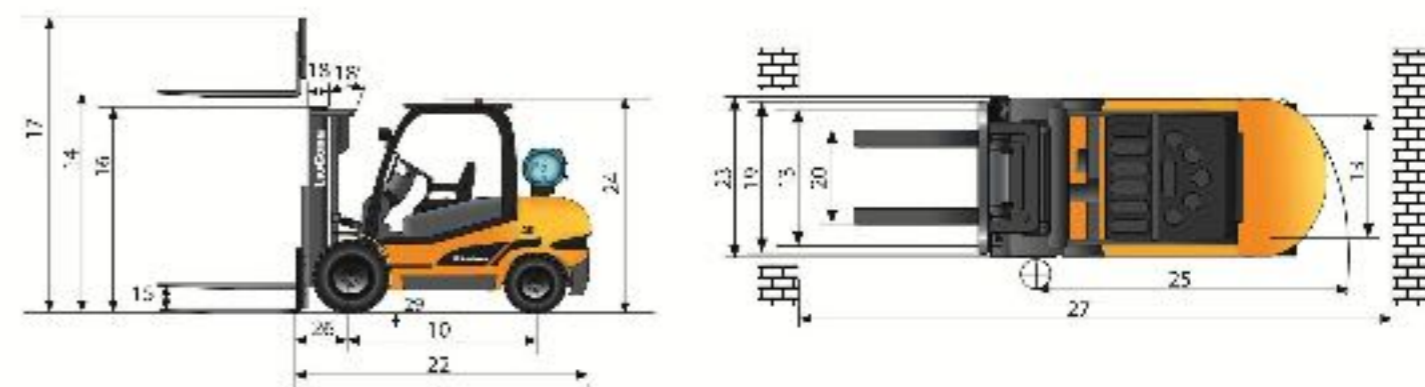
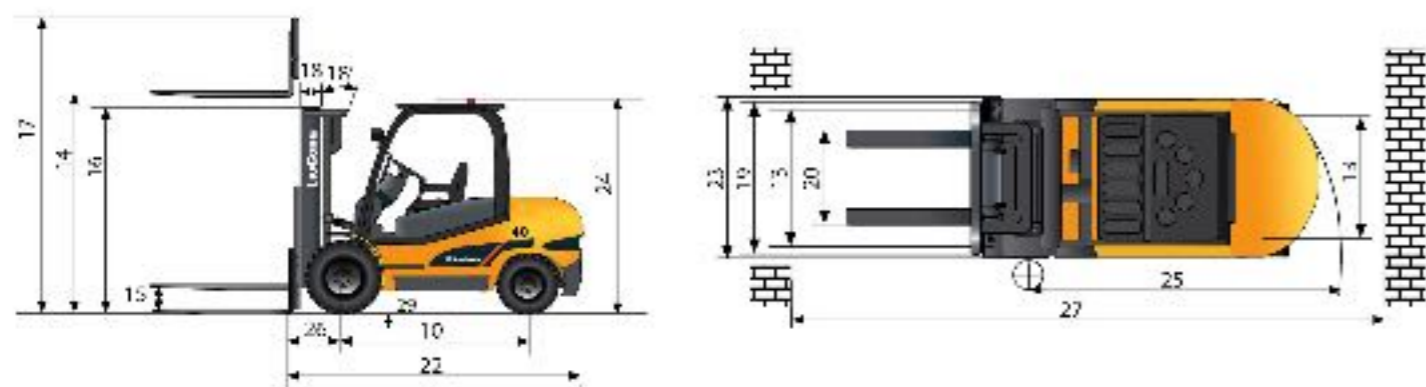
As a customer of LiuGong you can feel confident that our dealers and regional offices will be there to support you with training, service and maintenance needed throughout the life of your machine.

SPECIFICATION

General	Model	1			CLG2040H	
	Power Type	2			Diesel	
	Base Capacity	3	@rated load center	kg	4,000	
	Load Center	4		mm	500	
Weights	Service Weight	5	unloaded	kg	6,450	
	Axle Load	6	loaded / unloaded, front	kg	9,225 / 2,903	
		7	loaded / unloaded, rear	kg	1,225 / 3,547	
Tires	Tire Type	8			Pneumatic	
	Wheels	9	front / rear		2 / 2	
	Wheelbase	10		mm	2,000	
	Tire Size	11	front		300-15-18PR	
		12	rear		7.0-12-12PR	
Mast	Tread Width	13	front / rear		1,180 / 1,190	
	Max. Fork Height	14	with std 2-stage mast	mm	3,000	
	Free lift	15	with std 2-stage mast	mm	195	
	Height, Upright Lowered	16	with std 2-stage mast	mm	2,290	
	Height, Upright Extended	17	with std 2-stage mast	mm	4,350	
	Mast Tilt, Fwd/Back	18	with std 2-stage mast	deg	6° / 12°	
	Carriage	19	width	mm	1,450	
	Fork Spread	20	minimum / maximum	mm	320 / 1,210	
	Fork Dimensions	21	T x W x L	mm	50 x 122 x 1,070	
	Chassis	Length to Fork Face	22	with std 2-stage mast	mm	3,080
Overall Width		23		mm	1,480	
Overhead Guard Height		24		mm	2,310	
Turning Radius		25	minimum outside	mm	2,740	
Fork Overhang		26	with std 2-stage mast	mm	555	
Right Angle Stack		27	add load length and clearance	mm	4,625	
Ground Clearance		28	minimum loaded	mm	120	
		29	center of wheelbase	mm	135	
Performance	Travel Speed	30	loaded / unloaded	km/h	24 / 25	
	Lift Speed	31	loaded / unloaded	m/s	0.42 / 0.54	
	Lower Speed	32	loaded / unloaded	m/s	0.53 / 0.48	
	Max. Drawbar Pull	33	loaded	kg	3,300	
	Max. Gradeability	34	loaded / unloaded	%	20 / 20	
Systems	Brakes	35	service		Foot / Hyd	
		36	parking		Hand / Mech	
		37	manufacturer		Xinchai	
	Engine	38	model			4D35ZG31
		39	emission compliance			CHN Stage III
		40	cylinders			4
		41	displacement	liters		3.47
		42	rated power	kW/rpm		60 / 2,200
		43	Max. torque	N · m/rpm		300 / 1,800

SPECIFICATION

General	Model	1			CLG2040H	
	Power Type	2			Dual: Gas/LPG	
	Base Capacity	3	@rated load center	kg	4,000	
	Load Center	4		mm	500	
Weights	Service Weight	5	unloaded	kg	6,450	
	Axle Load	6	loaded / unloaded, front	kg	9,225 / 2,903	
		7	loaded / unloaded, rear	kg	1,225 / 3,547	
Tires	Tire Type	8			Pneumatic	
	Wheels	9	front / rear		2 / 2	
	Wheelbase	10		mm	2,000	
	Tire Size	11	front		300-15-18PR	
		12	rear		7.0-12-12PR	
Mast	Tread Width	13	front / rear		1,180 / 1,190	
	Max. Fork Height	14	with std 2-stage mast	mm	3,000	
	Free lift	15	with std 2-stage mast	mm	195	
	Height, Upright Lowered	16	with std 2-stage mast	mm	2,290	
	Height, Upright Extended	17	with std 2-stage mast	mm	4,350	
	Mast Tilt, Fwd/Back	18	with std 2-stage mast	deg	6° / 12°	
	Carriage	19	width	mm	1,450	
	Fork Spread	20	minimum / maximum	mm	320 / 1,210	
	Fork Dimensions	21	T x W x L	mm	50 x 122 x 1,070	
	Chassis	Length to Fork Face	22	with std 2-stage mast	mm	3,080
Overall Width		23		mm	1,480	
Overhead Guard Height		24		mm	2,310	
Turning Radius		25	minimum outside	mm	2,740	
Fork Overhang		26	with std 2-stage mast	mm	555	
Right Angle Stack		27	add load length and clearance	mm	4,625	
Ground Clearance		28	minimum loaded	mm	120	
		29	center of wheelbase	mm	135	
Performance	Travel Speed	30	loaded / unloaded	km/h	24 / 25	
	Lift Speed	31	loaded / unloaded	m/s	0.56 / 0.59	
	Lower Speed	32	loaded / unloaded	m/s	0.53 / 0.48	
	Max. Drawbar Pull	33	loaded	kg	3,300	
	Max. Gradeability	34	loaded / unloaded	%	20 / 20	
Systems	Brakes	35	service		Foot / Hyd	
		36	parking		Hand / Mech	
		37	manufacturer		PSI	
	Engine	38	model			GM4.3
		39	emission compliance			EPA Tier IV
		40	cylinders			6
		41	displacement	liters		4.30
		42	rated power	kW/rpm		77.5 / 2,300
		43	Max. torque	N · m/rpm		323.6 / 1,700

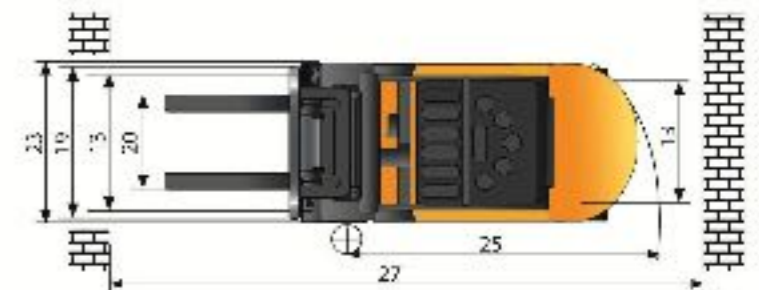
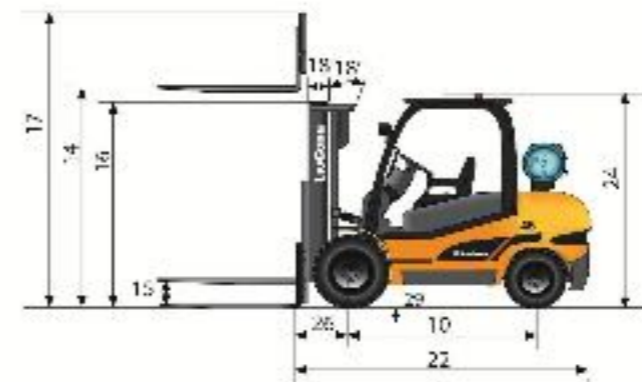
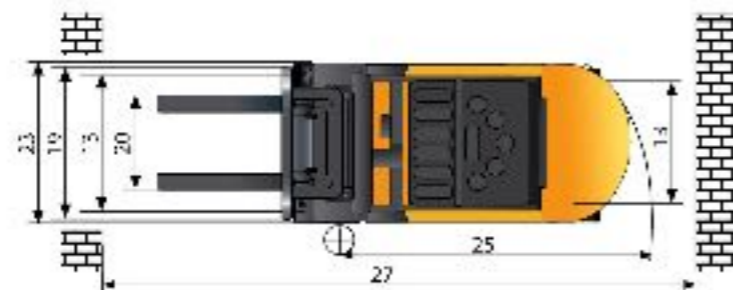
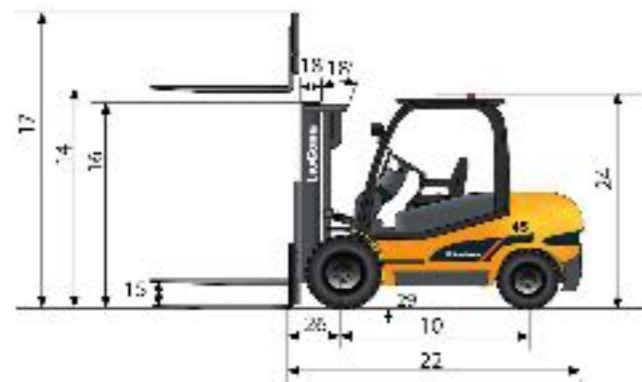


SPECIFICATION

General	Model	1			CLG2045H	
	Power Type	2			Diesel	
	Base Capacity	3	@rated load center	kg	4,500	
	Load Center	4		mm	500	
Weights	Service Weight	5	unloaded	kg	6,650	
	Axle Load	6	loaded / unloaded, front	kg	10,035 / 2,993	
		7	loaded / unloaded, rear	kg	1,115 / 3,657	
Tires	Tire Type	8			Pneumatic	
	Wheels	9	front / rear		2 / 2	
	Wheelbase	10		mm	2,000	
	Tire Size	11	front		300-15-18PR	
		12	rear		7.0-12-12PR	
Mast	Tread Width	13	front / rear		1,180 / 1,190	
	Max. Fork Height	14	with std 2-stage mast	mm	3,000	
	Free lift	15	with std 2-stage mast	mm	195	
	Height, Upright Lowered	16	with std 2-stage mast	mm	2,290	
	Height, Upright Extended	17	with std 2-stage mast	mm	4,350	
	Mast Tilt, Fwd/Back	18	with std 2-stage mast	deg	6° / 12°	
	Carriage	19	width	mm	1,450	
	Fork Spread	20	minimum / maximum	mm	348 / 1,238	
	Fork Dimensions	21	T x W x L	mm	50 x 150 x 1,070	
	Chassis	Length to Fork Face	22	with std 2-stage mast	mm	3,080
Overall Width		23		mm	1,480	
Overhead Guard Height		24		mm	2,310	
Turning Radius		25	minimum outside	mm	2,740	
Fork Overhang		26	with std 2-stage mast	mm	555	
Right Angle Stack		27	add load length and clearance	mm	4,625	
Ground Clearance		28	minimum loaded	mm	120	
		29	center of wheelbase	mm	135	
Performance	Travel Speed	30	loaded / unloaded	km/h	24 / 25	
	Lift Speed	31	loaded / unloaded	m/s	0.42 / 0.54	
	Lower Speed	32	loaded / unloaded	m/s	0.53 / 0.48	
	Max. Drawbar Pull	33	loaded	kg	3,300	
	Max. Gradeability	34	loaded / unloaded	%	20 / 20	
Systems	Brakes	35	service		Foot / Hyd	
		36	parking		Hand / Mech	
		37	manufacturer		Xinchai	
	Engine	38	model			4D35ZG31
		39	emission compliance			CHN Stage III
		40	cylinders			4
		41	displacement	liters		3.47
		42	rated power	kW/rpm		60 / 2,200
		43	Max. torque	N · m/rpm		300 / 1,800

SPECIFICATION

General	Model	1			CLG2045H	
	Power Type	2			Dual: Gas/LPG	
	Base Capacity	3	@rated load center	kg	4,500	
	Load Center	4		mm	500	
Weights	Service Weight	5	unloaded	kg	6,650	
	Axle Load	6	loaded / unloaded, front	kg	10,035 / 2,993	
		7	loaded / unloaded, rear	kg	1,115 / 3,657	
Tires	Tire Type	8			Pneumatic	
	Wheels	9	front / rear		2 / 2	
	Wheelbase	10		mm	2,000	
	Tire Size	11	front		300-15-18PR	
		12	rear		7.0-12-12PR	
Mast	Tread Width	13	front / rear		1,180 / 1,190	
	Max. Fork Height	14	with std 2-stage mast	mm	3,000	
	Free lift	15	with std 2-stage mast	mm	195	
	Height, Upright Lowered	16	with std 2-stage mast	mm	2,290	
	Height, Upright Extended	17	with std 2-stage mast	mm	4,350	
	Mast Tilt, Fwd/Back	18	with std 2-stage mast	deg	6° / 12°	
	Carriage	19	width	mm	1,450	
	Fork Spread	20	minimum / maximum	mm	348 / 1,238	
	Fork Dimensions	21	T x W x L	mm	50 x 150 x 1,070	
	Chassis	Length to Fork Face	22	with std 2-stage mast	mm	3,080
Overall Width		23		mm	1,480	
Overhead Guard Height		24		mm	2,310	
Turning Radius		25	minimum outside	mm	2,740	
Fork Overhang		26	with std 2-stage mast	mm	555	
Right Angle Stack		27	add load length and clearance	mm	4,625	
Ground Clearance		28	minimum loaded	mm	120	
		29	center of wheelbase	mm	135	
Performance	Travel Speed	30	loaded / unloaded	km/h	24 / 25	
	Lift Speed	31	loaded / unloaded	m/s	0.56 / 0.59	
	Lower Speed	32	loaded / unloaded	m/s	0.53 / 0.48	
	Max. Drawbar Pull	33	loaded	kg	3,300	
	Max. Gradeability	34	loaded / unloaded	%	20 / 20	
Systems	Brakes	35	service		Foot / Hyd	
		36	parking		Hand / Mech	
		37	manufacturer		PSI	
	Engine	38	model			GM4.3
		39	emission compliance			EPA Tier IV
		40	cylinders			6
		41	displacement	liters		4.30
		42	rated power	kW/rpm		77.5 / 2,300
		43	Max. torque	N · m/rpm		323.6 / 1,700

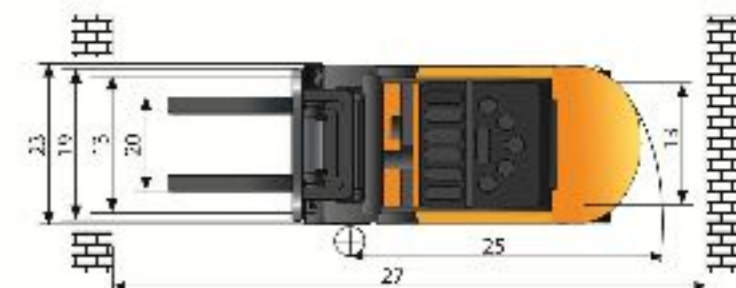
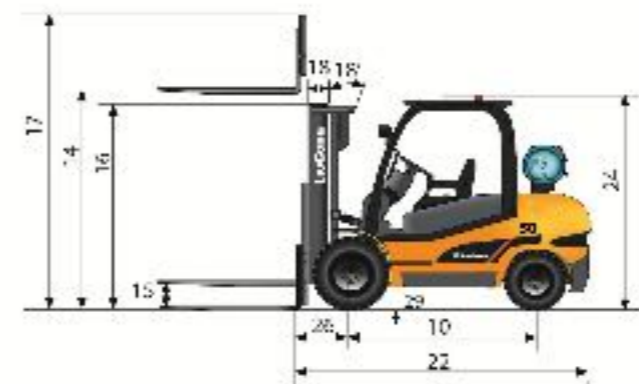
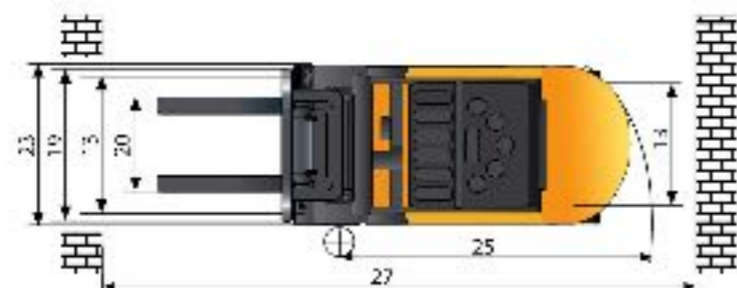
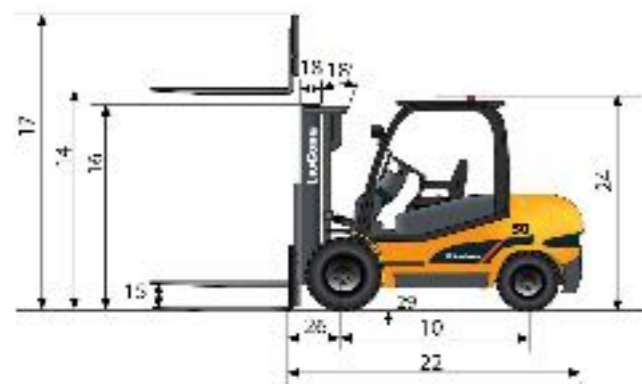


SPECIFICATION

General	Model	1	CLG2050H(LIGHT)		
	Power Type	2	Diesel		
	Base Capacity	3	@rated load center	kg	5,000
	Load Center	4		mm	500
Weights	Service Weight	5	unloaded	kg	6,850
	Axle Load	6	loaded / unloaded, front	kg	10,665 / 3,083
		7	loaded / unloaded, rear	kg	1,185 / 3,767
Tires	Tire Type	8	Pneumatic		
	Wheels	9	front / rear		2 / 2
	Wheelbase	10		mm	2,000
	Tire Size	11	front		300-15-18PR
		12	rear		7.0-12-12PR
Mast	Tread Width	13	front / rear		1,180 / 1,190
	Max. Fork Height	14	with std 2-stage mast	mm	3,000
	Free lift	15	with std 2-stage mast	mm	195
	Height, Upright Lowered	16	with std 2-stage mast	mm	2,290
	Height, Upright Extended	17	with std 2-stage mast	mm	4,350
	Mast Tilt, Fwd/Back	18	with std 2-stage mast	deg	6° / 12°
	Carriage	19	width	mm	1,450
	Fork Spread	20	minimum / maximum	mm	348 / 1,238
	Fork Dimensions	21	T x W x L	mm	50 x 150 x 1,070
	Chassis	Length to Fork Face	22	with std 2-stage mast	mm
Overall Width		23		mm	1,480
Overhead Guard Height		24		mm	2,310
Turning Radius		25	minimum outside	mm	2,800
Fork Overhang		26	with std 2-stage mast	mm	555
Right Angle Stack		27	add load length and clearance	mm	4,625
Ground Clearance		28	minimum loaded	mm	120
		29	center of wheelbase	mm	135
Performance	Travel Speed	30	loaded / unloaded	km/h	24 / 25
	Lift Speed	31	loaded / unloaded	m/s	0.42 / 0.54
	Lower Speed	32	loaded / unloaded	m/s	0.53 / 0.48
	Max. Drawbar Pull	33	loaded	kg	3,300
	Max. Gradeability	34	loaded / unloaded	%	20 / 20
Systems	Brakes	35	service		Foot / Hyd
		36	parking		Hand / Mech
		37	manufacturer	Xinchai	Cummins
	Engine	38	model	4D35ZG31	B3.3
		39	emission compliance	CHN Stage III	EU Stage IIIA
		40	cylinders		4
		41	displacement	liters	3.47
		42	rated power	kW/rpm	60 / 2,200
		43	Max. torque	N · m/rpm	300 / 1,800

SPECIFICATION

General	Model	1	CLG2050H(LIGHT)		
	Power Type	2	Dual: Gas/LPG		
	Base Capacity	3	@rated load center	kg	5,000
	Load Center	4		mm	500
Weights	Service Weight	5	unloaded	kg	6,850
	Axle Load	6	loaded / unloaded, front	kg	10,665 / 3,083
		7	loaded / unloaded, rear	kg	1,185 / 3,767
Tires	Tire Type	8	Pneumatic		
	Wheels	9	front / rear		2 / 2
	Wheelbase	10		mm	2,000
	Tire Size	11	front		300-15-18PR
		12	rear		7.0-12-12PR
Mast	Tread Width	13	front / rear		1,180 / 1,190
	Max. Fork Height	14	with std 2-stage mast	mm	3,000
	Free lift	15	with std 2-stage mast	mm	195
	Height, Upright Lowered	16	with std 2-stage mast	mm	2,290
	Height, Upright Extended	17	with std 2-stage mast	mm	4,350
	Mast Tilt, Fwd/Back	18	with std 2-stage mast	deg	6° / 12°
	Carriage	19	width	mm	1,450
	Fork Spread	20	minimum / maximum	mm	348 / 1,238
	Fork Dimensions	21	T x W x L	mm	50 x 150 x 1,070
	Chassis	Length to Fork Face	22	with std 2-stage mast	mm
Overall Width		23		mm	1,480
Overhead Guard Height		24		mm	2,310
Turning Radius		25	minimum outside	mm	2,800
Fork Overhang		26	with std 2-stage mast	mm	555
Right Angle Stack		27	add load length and clearance	mm	4,625
Ground Clearance		28	minimum loaded	mm	120
		29	center of wheelbase	mm	135
Performance	Travel Speed	30	loaded / unloaded	km/h	24 / 25
	Lift Speed	31	loaded / unloaded	m/s	0.56 / 0.59
	Lower Speed	32	loaded / unloaded	m/s	0.53 / 0.48
	Max. Drawbar Pull	33	loaded	kg	3,300
	Max. Gradeability	34	loaded / unloaded	%	20 / 20
Systems	Brakes	35	service		Foot / Hyd
		36	parking		Hand / Mech
		37	manufacturer	PSI	PSI
	Engine	38	model	GM4.3	GM4.3
		39	emission compliance	EPA Tier IV	Non-Certified
		40	cylinders		6
		41	displacement	liters	4.30
		42	rated power	kW/rpm	77.5 / 2,300
		43	Max. torque	N · m/rpm	323.6 / 1,700

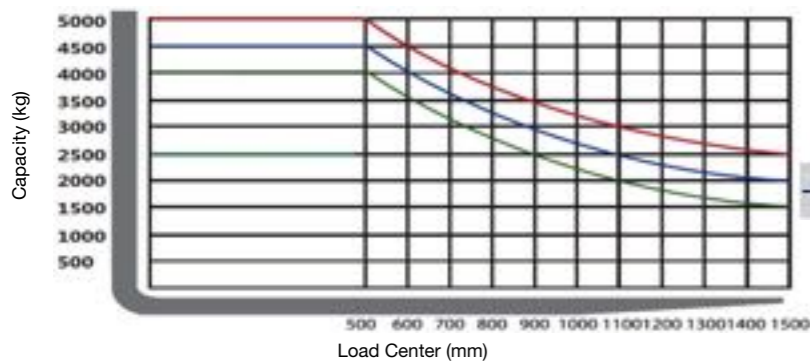


CAPACITY

Mast type	Maximum Fork Height (MFH)	Mast Overall Lowered Height (OAL)	Freee Lift with Load Backrest	Mast Tilt Angle (F/B)	Rated Load Capacity						Total Weight with Standard Forks		
					With Standard Forks			With Sideshifter					
					2040H	2045H	2050H (LIGHT)	2040H	2045H	2050H (LIGHT)	2040H	2045H	2050H (LIGHT)
	mm	mm	mm	degree	kg @ (500mm LC)			kg @ (500mm LC)			Kg		
Standard 2-Stage	2700	2132	180	6 / 12	4000	4500	5000	3700	4200	4700	6400	6600	6800
	3000	2282	180	6 / 12	4000	4500	5000	3700	4200	4700	6450	6650	6850
	3500	2532	180	6 / 12	4000	4500	5000	3700	4200	4700	6535	6735	6935
	4000	2832	180	6 / 6	4000	4500	5000	3700	4200	4700	6620	6820	7020
	4500	3082	180	6 / 6	3700	4200	4500	3400	3900	4200	6705	6905	7105
5000	3382	180	3 / 6	3400	3900	4000	3100	3600	3700	6790	6990	7190	

Mast type	Maximum Fork Height (MFH)	Mast Overall Lowered Height (OAL)	Freee Lift with Load Backrest*	Mast Tilt Angle (F/B)	Rated Load Capacity						Total Weight with Standard Forks		
					With Standard Forks			With Sideshifter					
					2040H	2045H	2050H (LIGHT)	2040H	2045H	2050H (LIGHT)	2040H	2045H	2050H (LIGHT)
	mm	mm	mm	degree	kg @ (500mm LC)			kg @ (500mm LC)			Kg		
Full Free 2-Stage	2700	2132	762	6 / 12	3950	4450	4950	3650	4150	4650	6450	6650	6850
	3000	2282	837	6 / 12	3950	4450	4950	3650	4150	4650	6500	6700	6900

Mast type	Maximum Fork Height (MFH)	Mast Overall Lowered Height (OAL)	Freee Lift with Load Backrest*	Mast Tilt Angle (F/B)	Rated Load Capacity						Total Weight with Standard Forks		
					With Standard Forks			With Sideshifter					
					2040H	2045H	2050H (LIGHT)	2040H	2045H	2050H (LIGHT)	2040H	2045H	2050H (LIGHT)
	mm	mm	mm	degree	kg @ (500mm LC)			kg @ (500mm LC)			Kg		
Full Free 3-Stage	4500	2272	962	6 / 6	3350	3850	3800	3050	3550	3500	6760	6960	7160
	4800	2432	1082	6 / 6	3150	3650	3550	2850	3350	3250	6810	7010	7210
	5000	2502	1132	3 / 6	3100	3600	3400	2800	3300	3100	6860	7060	7260



Note:
Vertical axle stands for load capacity while horizontal axle stands for load center, Load center is the distance counted from the front of the fork,.The base point of the standard load is the center point of the cubic with the same 1200mm dimension in length, width and height. The load capacity should be down if mast tilt forward or using non-standard forks of loading goods with extra width. Please realize the different load capacity between different load centers according to load chart.

STANDARD CONFIGURATION

POWER SYSTEM

- Xinchai 4D35ZG31 diesel engine
- Automatic transmission
- High strength drive axle
- Heavy duty steering axle
- Air filter with dual-elements
- Fuel system pre-filter
- Radiator
- Low exhaust

HYDRAULIC SYSTEM

- 2-funtion hydraulic valve
- Hydrostatic steering
- Oil filter for intake and return

ELECTRIC SYSTEM

- 2 batteries
- Front flood lights
- Front steering lights
- Rear combination lights
- Buzzer for back off

UNDERCARRIAGE

- High strength frame
- 1 piece counterweight
- Tow pin
- Air filled pneumatic drive tires
- Air filled pneumatic steer tires

MAST

- 3.0M Standard 2-stage mast
- 1400mm Wide Class III carriage
- Load backrest
- 1070mm long Class III pallet forks

OPERATOR STATION

- Overhead guard
- Locks for engine hood
- Vinyl cushion seat with seat belt
- Ignition lock
- Display with alarms, fuel rate, water temperature, working hour
- Tilt steering column
- Inching, brake and accelerator pedals
- Hand parking
- Floor mat

OPTIONAL CONFIGURATION

POWER SYSTEM

- Cummins B3.3 diesel engine
- PSI GM4.3 engine (Gas/LPG)
- Elevated air pre-cleaner
- 2nd refined air filter
- Vertical exhaust

HYDRAULIC SYSTEM

- 3-funtion hydraulic valve
- 4-funtion hydraulic valve
- Hydraulic oil radiator

ELECTRIC SYSTEM

- Rear working light
- Amber warning light
- License plate light

UNDERCARRIAGE

- Solid pneumatic drive tires
- Solid pneumatic steer tires

MAST

- Full free 2-stage mast
- Full free 3-stage mast
- Longer Class I pallet forks

OPERATION STATION

- Enclosed cabin
- Heater for cabin
- Operator fan
- Fire extinguisher
- Anti-corrosion lifting and tilting cylinde
- Protective cover for tilt cylinde
- Master key
- Hydraulic electronic shifting
- Half-suspension vinyl seat(tiancheng)
- Grammer full-suspension vinyl seat