



Model
Power
Operator type
Load capacity

CLG2S012/16/20-WF3/N
Battery
Pedestrian
1200/1600/2000 kg

CLG2S012/16/20-WF3/N PALLET STACKER

TOUGH WORLD. TOUGH EQUIPMENT.

CLG2S012/16/20-WF3/N

Electric Pedestrian Stacker with capacities of 1200/1600/2000kg.

INTRODUCTION

- The CLG2S012/16/20-WF3/N series is tailored towards pedestrian controlled stacking operations with capacities from 1200kg up to 2000kg.
- With the mounted long tiller the operator can keep a safe and ergonomic distance while performing his work.
- Due to the gentle full proportional lift system, stacking operations becomes safer and faster.
- With high quality and state of the art top brand components and technology, the truck competes with other leading brands in the market.

ADVANTAGES

- Safe, Compact and Ergonomic Long Tiller Design.
- Precise Lifting and Lowering with Fully Proportional Hydraulic System
- Powerful, Maintenance Free German AC Power Train.
- Core Components from Top Quality Brands.
- 4 Wheel Structure for Stability.



LONG TILLER DESIGN FOR ERGONOMICS AND SAFETY

With the long tiller design the operator can always keep a safe distance from the truck while working ergonomically.

This design requires less operational forces than trucks with a short tiller. The tiller's operating height is naturally installed to be ergonomic, giving the operator friendly control positions.

Stacking operations become quicker and more ergonomic due to safe distancing and a better view of the forks.

The 4 wheel design with the sideways mounted long tiller gives an exact and perfect view to the forks.

TOP BRAND QUALIFIED COMPONENTS

Using high quality core components:

- Reliable multifunctional REMA tiller with ergonomic contactless rocker switches.
- Top quality Schabmueller AC drive motor.
- Kordel gearbox.
- HPI hydraulic power pack.
- Zapi controller.
- Intorque brake.
- Wicke drive wheel.

The parts used reduces high service costs and comes with the performance and reliability which is required for demanding stacking operations.

ELECTRIC PROPORTIONAL LIFTING AND LOWERING

The electronically controlled proportional lifting system ensures accurate positioning and stacking operations at every lifting height.

In specific with high masts the electronic controlled proportional lifting performs at its best.

CANBUS TECHNOLOGY

The CANBUS technology is due to less wiring with more reliability.

For maintenance the CANBUS technology make analyzed and adjustments easier so that the downtime is lower than for trucks without CANBUS.

Digital signals further makes parts longer lasting than analogue signals.



CLG2S012/16-WF3/N



CLG2S020-WF3/N

CAN-BUS



ROBUST AND RELIABLE DESIGN

The robust chassis with strong 8mm thick apron protects the truck and the components against mechanical impacts from the environment.

In combination with the metal battery cover, the truck is well equipped to reduce maintenance work and damages to a minimum.

Dirty floor environments have less influence on the vertical AC motor design as the components and the brakes are out of reach to direct impacts.

IP 54 protected controller, safe against dust and water splashes.



GERMAN AC DRIVE TECHNOLOGY

The powerful maintenance free German Schabmueller AC Drive motor with German Kordel gearbox, Intorque brake and Wicke drive wheel all together gives the best performance, efficiency and reliability, this top brand combination reduces the overall operating cost!

Whether smooth or sudden acceleration is required, the AC Drive always give the right and direct response.



MAINTENANCE FRIENDLY

The trucks' design and the components used are tailored to make service and maintenance easy. All components are easy to reach after removing the main cover with only two screws.

The drive wheel and the castor wheel are easy to exchange without craning the truck.



FOR EVERY APPLICATION THE RIGHT BATTERY CAPACITY

With the CLG2S012/16/20-WF3/N series every truck comes with the right battery:

- CLG2S012-WF3/N with 180 Ah 2VBS battery for light duty models, good maneuverability for restricted areas.
- CLG2S016-WF3/N with 270 Ah 3VBS battery.
- CLG2S020-WF3/N with 350 AH DIN 3PzS battery for long operations and multi-shifts.

OPTIONALS

- Various mast versions
- Load backrest
- Sideway battery exchange for CLG2S016-WF3/N and CLG2S020-WF3/N



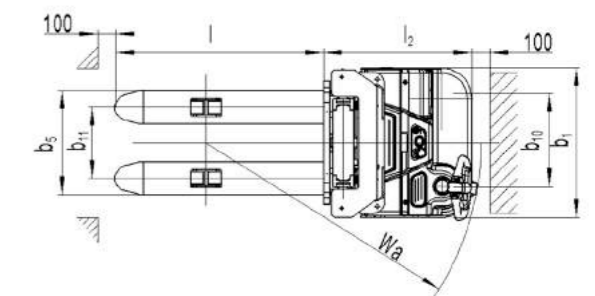
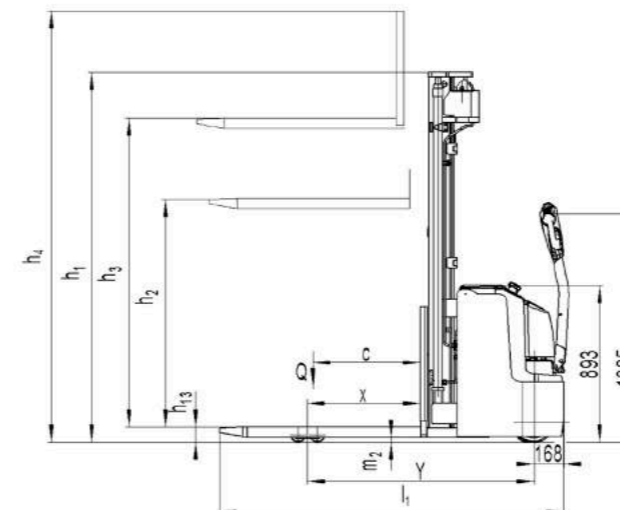
SPECIFICATIONS

Distinguishing mark					
Manufacturer's type designation		CLG2S012-WF3/N	CLG2S012-WF3/N	CLG2S016-WF3/N	CLG2S020-WF3/N
Mast height	mm	3600	4600	3200	3200
Power		Battery			
Operator type		Pedestrian			
Load capacity/Rated load	Q (t)	1.2		1.6	2.0
Load centre distance	c (mm)	600			
Load distance,centre of drive axle to fork	x (mm)	647	637	647	
Wheelbase	y (mm)	1248		1293	1429
Weight					
Service weight	kg	1007	1150	1340	1579
Axle loading, laden front/rear	kg	684/1523	735/1610	930/2010	1000/2579
Axle loading,unladen front/rear	kg	610/397	720/430	850/490	900/679
Tires,chassis					
Tires		Polyurethane(PU)			
Tire size,front	xw (mm)	200x73			
Tire size,rear	xw (mm)	84x70			
Additional wheels(dimensions)	xw (mm)	150x54			
Wheels,number front/rear(x=driven wheels)		1x+1/4			
Tread,front	b10 (mm)	522			
Tread,rear	b11 (mm)	390/505			
Dimensions					
Lowered mast height	h1 (mm)	2308	2108	2108	2228
Free Lift height	h2 (mm)	1760	1520	1520	1520
Lift height	h3 (mm)	3530	4530	4530	4530
Extended maximal height	h4 (mm)	4088	5088	5088	5208
Height of tiller in drive position min./ max.	h14 (mm)	850/1385			
Height, lowered	h13 (mm)	90			
Overall length	l1 (mm)	1919	1929	1964	2100
Length to face of forks	l2(mm)	769	779	814	950
Overall width	b1 (mm)	820			
Fork dimensions	s/e/l (mm)	60/180/1150			
Distance between fork-arms	b5 (mm)	570/685			
Ground clearance, centre of wheelbase	m2 (mm)	28	28	28	23
Aisle width for pallets 1000X1200 crossways	Ast (mm)	2336	2336	2406	2536
Aisle width for pallets 800X1200 lengthways	Ast (mm)	2323	2323	2393	2523
Turning radius	Wa (mm)	1400	1400	1510	1640
Performance data					
Travel speed,laden unladen	km/h	6.0/6.0		5.7/6.0	5.7/6.0
Lift speed,laden/unladen	m/s	0.09/0.14	0.13/0.20	0.13/0.20	0.13/0.20
Lowering speed,laden/unladen	m/s	0.25/0.20	0.28/0.23	0.28/0.23	0.28/0.23
Max. gradeability, laden/unladen	%	6/12		6/12	6/10
Service brake		Electromagnetic			
Electric-engine					
Drive motor rating S2 60min	kW	1.3		1.3	1.7
Lift motor rating at S3 4.5%	kW	1.5	3.2	3.2	3.2
Battery acc. to DIN 43531/35/36 A, B,C, no		2VBS		3VBS	3PZS
Battery voltage, nominal capacity K5	V / Ah	24/180		24/270	24/350
Battery weight +/-5%	kg	175		230	288
Energy consumption acc: to VDI cycle	kWh/h	0.95		1.59	1.70
Additional data					
Type of drive control		AC-Speed control			
Sound level at driver's ear acc. to EN 12053	dB(A)	<70		<70	<70

LiuGong standard and optional equipment may vary from region to region. Please consult your LiuGong dealer for information specific to your area.

Mast table CLG2S012/16/20-WF3/N

Designation	Mast height	Lowered mast height h1(mm)	Free lift height h2 (mm)	Lift height h3(mm)	Extended mast height h4 (mm)	Lift+fork height h3+h13 (mm)
CLG2S012-WF3/N						
Two-stage mast	2900	1958	-	2830	3380	2920
	3200	2108	-	3130	3680	3220
	3600	2308	-	3530	4080	3620
Two-stage mast FFL(Full-Free-Lift)	2900	1958	1410	2830	3380	2920
	3200	2108	1560	3130	3680	3220
	3600	2308	1760	3530	4080	3620
Three-stage mast FFL(Full-Free-Lift)	4000	1998	1320	3930	4480	4020
	4300	2008	1420	4230	4780	4320
	4600	2108	1520	4530	5080	4620
CLG2S016-WF3/N						
Two-stage mast	2900	1958	-	2830	3380	2920
	3200	2108	-	3130	3680	3220
	3600	2308	-	3530	4080	3620
Two-stage mast FFL(Full-Free-Lift)	2900	1958	1410	2830	3380	2920
	3200	2108	1560	3130	3680	3220
	3600	2308	1760	3530	4080	3620
Three-stage mast	4300	2008	-	4230	4780	4320
	4600	2108	-	4530	5080	4620
		3400	1708	1120	3330	3880
Three-stage mast FFL(Full-Free-Lift)	4000	1908	1320	3930	4480	4020
	4300	2008	1420	4230	4780	4320
	4600	2108	1520	4530	5080	4620
	5300	2343	1756	5230	5780	5320
	5500	2408	1820	5430	5980	5520
CLG2S020-WF3/N						
Two-stage mast	2900	2078	-	2830	3500	2920
	3200	2228	-	3130	3800	3220
	3600	2428	-	3530	4200	3620
Two-stage mast FFL(Full-Free-Lift)	2700	1978	1310	2630	3300	2720
	2900	2078	1410	2830	3500	2920
	3200	2228	1560	3130	3800	3220
	3600	2428	1760	3530	4200	3620
Three-stage mast	4300	2128	-	4230	4900	4320
	4600	2228	-	4530	5200	4620
Three-stage mast FFL(Full-Free-Lift)	4000	1978	1310	3930	4600	4020
	4300	2128	1420	4230	4900	4320
	4600	2228	1520	4530	5200	4620



LiuGong standard and optional equipment may vary from region to region. Please consult your LiuGong dealer for information specific to your area.



Liuzhou LiuGong Forklift Co., Ltd.

No. 1 Yanghe Road, Liuzhou, Guangxi 545007, PR China
T: +86 772 388 6124 E: overseas@liugong.com
HQ: www.liugong.com
MH: www.lgforklift.cn

Like and follow us:



LG-PB-CLG2S012/16/20-WF3/N-052021-ENG

The LiuGong series of logos herein, including but not limited to word marks, device marks, letter of alphabet marks and combination marks, as the registered trademarks of Guangxi LiuGong Group Co., Ltd. are used by Guangxi LiuGong Machinery Co., Ltd. with legal permission, and shall not be used without permission. Specifications and designs are subject to change without notice. Illustrations and pictures may include optional equipment and may not include all standard equipment. Equipment and options varies by regional availability.