



Model	CLG2S015-RF/N
Drive	Battery
Operator type	Foldable platform
Load capacity	1500kg

CLG2S015-RF/N PALLET STACKER

INTRODUCTION

The CLG2S015-RF/N ensures with high performance through AC drive technology in intensive stacking operations with capacities up to 3300Lbs(1500kg) with 2-and 3-stage masts.

The vehicle is equipped with foldable platform as standard, which is more suitable for use in larger warehouse where long-distances driving is required.



ADVANTAGES

- High capacity of 3300lbs(1500kg).
- AC drive system.
- Electric steering (standard).
- Robust 2- and 3stage masts for lift heights up to 6000mm Lift height.
- Foldable platform and protective arms (standard).



KEY-SWITCH

Key-switch, emergency switch and battery discharge indicator.



TILLER

All operating elements on the CAN tiller are easy to reach.

AC DRIVE SYSTEM

The AC drive system gives high performance, ensures low maintenance costs and its high efficiency, saves energy for longer operations.



FOLDABLE PLATFORM

Suspension foldable platform with sideways protective arms. The ergonomically designed foldable platform in combination with its sideways protective arms makes operations faster and safer.



STANDARD BATTERY

Long operating time through high capacity with 3PZS battery.



STORAGE TRAY

The robust battery cover with storage areas for utilities or packaging and stretch foil.

ELECTRIC STEERING

The electric steering makes the operating effortless. Maneuvering in narrow spaces becomes with the electric steering easiest.

DIFFERENT MAST VERSIONS

2-stage and 3-stage masts up to 236inch(6000mm) lift-height.

SPECIFICATIONS

Distinguishing mark			
Manufacturer's type designation		CLG2S015-RF/N 5000	CLG2S015-RF/N 2900
Drive		Battery	Battery
Operator type		Pedestrian	Pedestrian
Load capacity/Rated load	Q (t)	1.5	1.5
Load centre distance	c (mm)	600	600
Load distance,centre of drive axle to fork	x (mm)	751	755
Wheelbase	y (mm)	1526	1407
Weight			
Service weight	kg	1596	1095
Axle loading, laden front/rear	kg	1345/1663	1165/1430
Axle loading,unladen front/rear	kg	955/553	735/360
Tires,chassis			
Tires		Polyurethane(PU)	
Tire size,front	xw (mm)	230x75	
Tire size,rear	xw (mm)	80x70	
Additional wheels(dimensions)	xw (mm)	124x60	
Wheels,number front/rear(x=driven wheels)		1x+2/4	
Tread,front	b10 (mm)	766	570
Tread,rear	b11 (mm)	390/505	
Dimensions			
Lowered mast height	h1 (mm)	2220	1950
Free Lift height	h2 (mm)	1660	150
Lift height	h3+h13 (mm)	5000	2900
Extended mast height	h4 (mm)	5520	3370
Height of tiller in drive position min./ max.	h14 (mm)	945/1370	
Height, lowered	h13 (mm)	85	
Overall length	l1(mm)	2193 ¹⁾	2070 ¹⁾
Length to face of forks	l2 (mm)	1043 ¹⁾	920 ¹⁾
Overall width	b1 (mm)	1000	795
Fork dimensions	s/e/l (mm)	60/180/1150	
Distance between fork-arms	b5 (mm)	570/685 ³⁾	
Ground clearance, centre of wheelbase	m2(mm)	25	
Aisle width for pallets 1000X1200 crossways	Ast(mm)	2660 ¹⁾	2540 ¹⁾
Aisle width for pallets 800X1200 lengthways	Ast(mm)	2612 ¹⁾	2490 ¹⁾
Turning radius	Wa(mm)	1810 ¹⁾	1691 ¹⁾
Performance data			
Travel speed,laden unladen	km/h	6.0/6.0	
Lift speed,laden/unladen	m/s	0.14/0.212	0.082/0.152 ²⁾
Lowering speed,laden/unladen	m/s	0.196/0.178	0.108/0.095 ²⁾
Max. gradeability, laden/unladen	%	6/12	
Service brake		Eletromagnetic	

Electric-engine			
Drive motor rating S2 60min	kW	1.3	
Lift motor rating at S3 4.5%	kW	3.0	2.2 ²⁾
Battery acc. to DIN 43531/35/36A,B,C,norm		B,3PzS	B,2PzS
Battery voltage,nominal capacity K5	V / Ah	24/350	24/210
Battery Weight(+/-5%)	kg	288	217
Energy consumption acc. to VDI cycle	kWh/h	2.36	

Additional data	
Type of drive control	AC-speed control
Sound level at driver's ear acc. to EN 12053	dB(A) 69

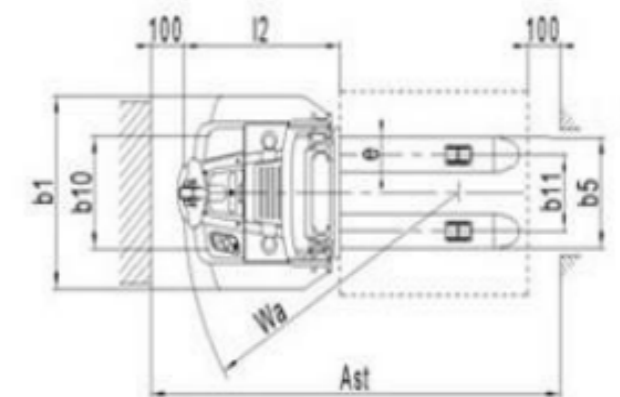
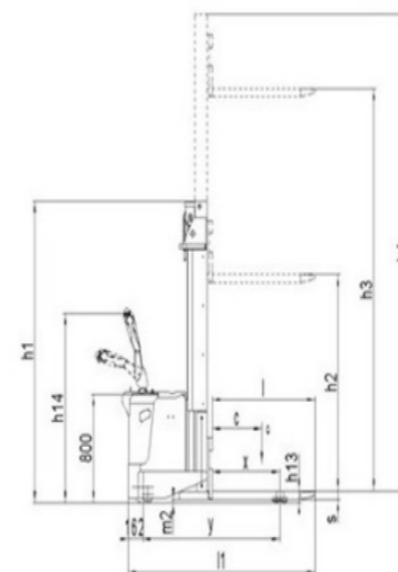
Mast table CLG2S015-RF/N				
Type of drive control	Lowered mast height h1(mm)	Free lift height h2(mm)	Lift height h3+h13(mm)	Extended mast height h4(mm)
CLG2S015-RF/N				
Two-stage mast	1950	150	2900	3370
	2100	150	3200	3670
	2300	150	3600	4070
	2500	150	4000	4470
Three-stage mast FFL(Full-Free-Lift)	1980	1420	4300	4865
	2080	1520	4600	5115
	2220	1660	5000	5520
	2475	1875	5500	6060
	2740	2100	6000	6600

(1) Unwith foldable platform the following dimensions reduce:l1=-83mm/l2=-83mm/Wa=-93mm/Ast=-93mm.

(2)For two-stage mast truck with lifting height 2900mm,other two-stage mast truck.

Lift speed-laden/unladen=0.150/0.226m/s,Lowering speed-laden/unladen=0.168/0.155m/s,Lift motor=3.0kw.

(3)6000 height only has 685 specification.





Liuzhou LiuGong Forklift Co., Ltd.

No. 1 Yanghe Road, Liuzhou, Guangxi 545007, PR China
T: +86 772 388 6124 E: overseas@liugong.com
HQ: www.liugong.com
MH: www.lgforklift.cn

Like and follow us:



LG-PB-CLG2S015-RF/N-082020-ENG

The LiuGong series of logos herein, including but not limited to word marks, device marks, letter of alphabet marks and combination marks, as the registered trademarks of Guangxi LiuGong Group Co., Ltd. are used by Guangxi LiuGong Machinery Co., Ltd. with legal permission, and shall not be used without permission. Specifications and designs are subject to change without notice. Illustrations and pictures may include optional equipment and may not include all standard equipment. Equipment and options varies by regional availability.