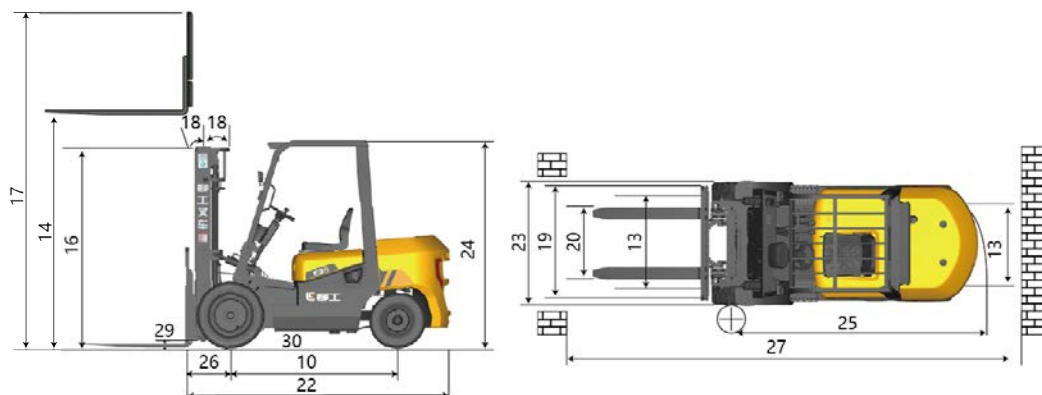


SPECIFICATION

General	Model	1			CPCD40-E
	Power Type	2			Diesel
	Base Capacity	3		kg	4000
Weights	Load Center	4	@ rated load center	mm	500
	Service Weight	5	unloaded	kg	5480
	Axle Load	6	loaded/unloaded, front	kg	8335/1145
Tires		7	loaded/unloaded, rear	kg	2225/3255
	Tire Type	8			Pneumatic
	Wheels	9	front / rear		2/2
	Wheelbase	10		mm	1880
	Tire Size	11	front		250-15-18PR
		12	rear		7.00-12-12PR
Mast	Tread Width	13	front/rear	mm	1180/1112
	Max. Fork Height	14	with std 2-stage mast	mm	3000
	Freelift	15	with std 2-stage mast	mm	130
	Height, Upright Lowered	16	with std 2-stage mast	mm	2175
	Height, Upright Extended	17	with std 2-stage mast	mm	4180
	Mast Tilt, Fwd/Back	18	with std 2-stage mast	deg	6°/12°
	Fork Carriage	19	width	mm	1380
	Fork Spread	20	minimum/maximum	mm	330/1380
	Fork Dimension	21	T x W x L	mm	122x50x1070
	Chassis	Length to Fork Face	22	with std 2-stage mast	mm
Overall Width		23		mm	1420
Overhead Guard Height		24		mm	2175
Turning Radius		25	minimum outside	mm	2680
Fork Overhang		26	with std 2-stage mast	mm	510
Min.right angle stacking aisle width		27	add load length and clearance	mm	4460
Ground Clearance		28	center of wheelbase	mm	145
Performance		29	loaded/unloaded	mm	175
	Travel Speed	30	loaded/unloaded	km/h	18.5/19
	Lift Speed	31	loaded/unloaded	mm/s	390/410
	Lower Speed	32	loaded/unloaded	mm/s	400/410
	Max. Drawbar Pull	33	loaded	KN	19.6
Systems	Max. Gradeability	34	loaded/unloaded	%	20 / 18
	Brakes	35	service		Foot/Hyd
36		parking			Hand /Mech
Internal combustion	Engine	37	manufacturer		Xinchai
		38	model		A498BT1
		39	emission compliance		EU III
		40	cylinders		4
		41	displacement	liter	3.17
		42	rated power	kw/rpm	36.8/2400
		43	max. torque	N.m/rpm	186/1800



LIUGONG

E SERIES



Engine	Xinchai
Fuel	Diesel
Rated load	4000 kg
Rated Power	36.8 kW

CPCD40E

***E SERIES INTERNAL COMBUSTION
COUNTERBALANCED FORKLIFT***

TOUGH WORLD. TOUGH EQUIPMENT.