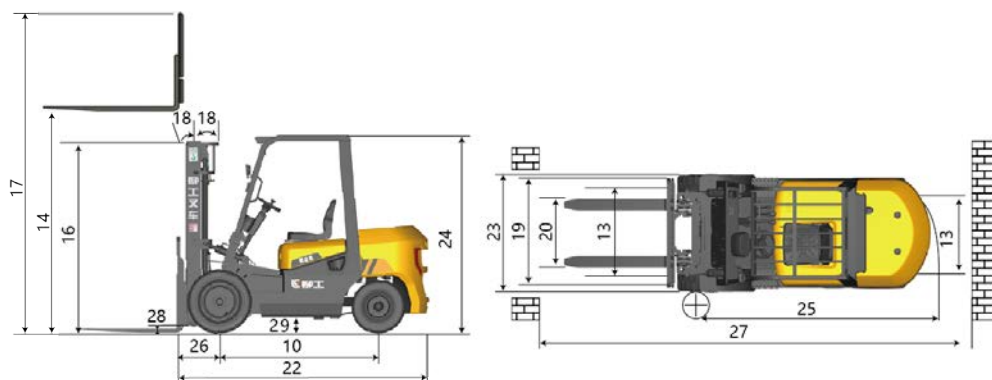


PRODUCT SPECIFICATIONS

General	Model	1			CPQYD25	
	Power Type	2			GAS/LPG	
	Load Capacity	3		kg	2500	
Weights	Load Center Distance	4	@ rated load center	mm	500	
	Service Weight	5	unloaded	kg	3370	
	Axle Load	6	loaded,front/rear	kg	4390/670	
Tires		7	unloaded,front/ rear	kg	1350/2020	
	Tire Type	8			Pneumatic	
	Wheels	9	front / rear		2 / 2	
	Wheelbase	10		mm	1650	
	Tire Size	11	front		7.00-12-12PR	
Mast		12	rear		6.00-9-10PR	
	Tread Width	13	front/rear	mm	960/970	
	Max. Fork Height	14	with std 2-stage mast	mm	3000	
	Freelift	15	with std 2-stage mast	mm	140	
	Height, Upright Lowered	16	with std 2-stage mast	mm	2070	
	Height, Upright Extended	17	with std 2-stage mast	mm	4025	
	Mast Tilt, Fwd/Back	18	with std 2-stage mast	deg	6° / 12°	
	Fork Carriage	19	width	mm	1100	
	Fork Spread	20	minimum/maximum	mm	272/1072	
	Fork Dimension	21	T x W x L	mm	40 x 122 x 1070	
Chassis	Length to Fork Face	22	with std 2-stage mast	mm	2500	
	Overall Width	23		mm	1150	
	Overhead Guard Height	24		mm	2100	
	Turning Radius	25	minimum outside	mm	2190	
	Fork Overhang	26	with std 2-stage mast	mm	476	
	Min.right angle stacking aisle width	27	add load length and clearance	mm	3935	
	Ground Clearance	28	loaded below mast	mm	110	
Performance		29	center of wheelbase	mm	120	
	Travel Speed	30	loaded/unloaded	km/h	19/20	
	Lift Speed	31	loaded/unloaded	mm/s	460/500	
	Lowering Speed	32	loaded/unloaded	mm/s	550/400	
	Max. Drawbar Pull	33	loaded	N	16475	
	Max. Gradeability	34	loaded/unloaded	%	18/20	
Systems	Brakes	35	service		Foot/Hyd	
		36	parking		Hand /Mech	
Internal combustion	Engine	37	manufacturer		GCT	
		38	model		GK25	
		39	emission compliance		N/A	
		40	cylinders		4	
		41	displacement	L		2.488
		42	rated power	kw/rpm		35.9/2300(LPG) 37.4/2300(GAS)
		43	max. torque	N.m/rpm		160/1900



LIUGONG

E SERIES



Engine	GCT
Fuel	LPG/GAS
Rated load	2500kg
Rated Power	37.4 kW

CPQYD25

***E SERIES INTERNAL COMBUSTION
COUNTERBALANCED FORKLIFT***

TOUGH WORLD. TOUGH EQUIPMENT.