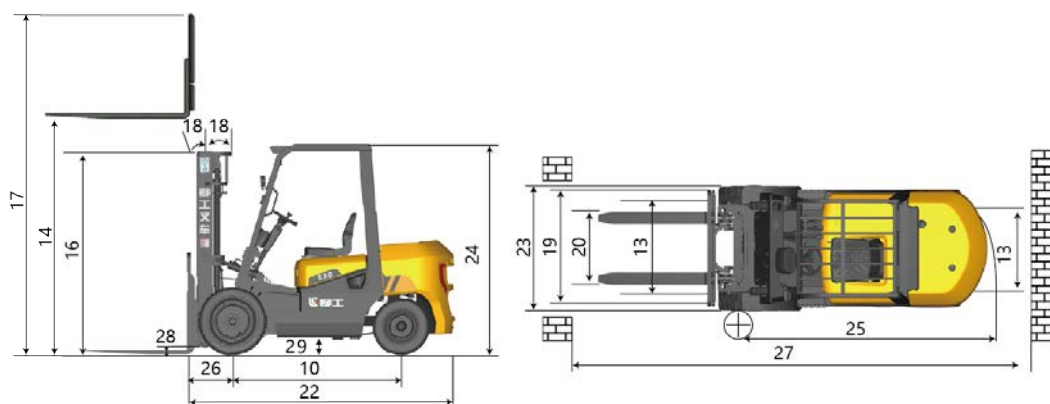


PRODUCT SPECIFICATIONS

General	Model	1			CPQYD30
	Power Type	2			LPG/GAS
	Load Capacity	3		kg	3000
Weights	Load Center Distance	4	@ rated load center	mm	500
	Service Weight	5	unloaded	kg	4260
	Axle Load	6	loaded,front/rear	kg	6450/1680
Tires		7	unloaded,front/ rear	kg	810/2580
	Tire Type	8			Pneumatic
	Wheels	9	front / rear		2/2
	Wheelbase	10		mm	1760
	Tire Size	11	front		28 x 9-15-14PR
Mast		12	rear		6.50 - 10-10PR
	Tread Width	13	front/rear	mm	1000/980
	Max. Fork Height	14	with std 2-stage mast	mm	3000
	Freelift	15	with std 2-stage mast	mm	145
	Height, Upright Lowered	16	with std 2-stage mast	mm	2110
	Height, Upright Extended	17	with std 2-stage mast	mm	4146
	Mast Tilt, Fwd/Back	18	with std 2-stage mast	deg	6o / 12o
	Fork Carriage	19	width	mm	1100
	Fork Spread	20	minimum/maximum	mm	272 / 1072
	Fork Dimension	21	T x W x L	mm	45 x 122 x 1070
Chassis	Length to Fork Face	22	with std 2-stage mast	mm	2720
	Overall Width	23		mm	1225
	Overhead Guard Height	24		mm	2150
	Turning Radius	25	minimum outside	mm	2400
	Fork Overhang	26	with std 2-stage mast	mm	475
	Min.right angle stacking aisle width	27	add load length and clearance	mm	2190
	Ground Clearance	28	loaded below mast	mm	135
Performance		29	center of wheelbase	mm	140
	Travel Speed	30	loaded/unloaded	km/h	18.5/19
	Lift Speed	31	loaded/unloaded	mm/s	455/475
	Lowering Speed	32	loaded/unloaded	mm/s	460/480
	Max. Drawbar Pull	33	loaded	N	14220
Systems	Max. Gradeability	34	loaded/unloaded	%	18 / 20
	Brakes	35	service		Foot/Hyd
36		parking			Hand /Mech
Internal combustion	Engine	37	manufacturer		GCT
		38	model		GK25
		39	emission compliance		N/A
		40	cylinders		4
		41	displacement	L	2.488
		42	rated power	kw/rpm	35.9/2300(LPG) 37.4/2300(GAS)
		43	max. torque	N.m/rpm	176.5/1600



LIUGONG

E SERIES



Engine	GCT
Fuel	LPG/GAS
Rated load	3000kg
Rated Power	37.4 kW

CPQYD30

**E SERIES INTERNAL COMBUSTION
COUNTERBALANCED FORKLIFT**

TOUGH WORLD. TOUGH EQUIPMENT.