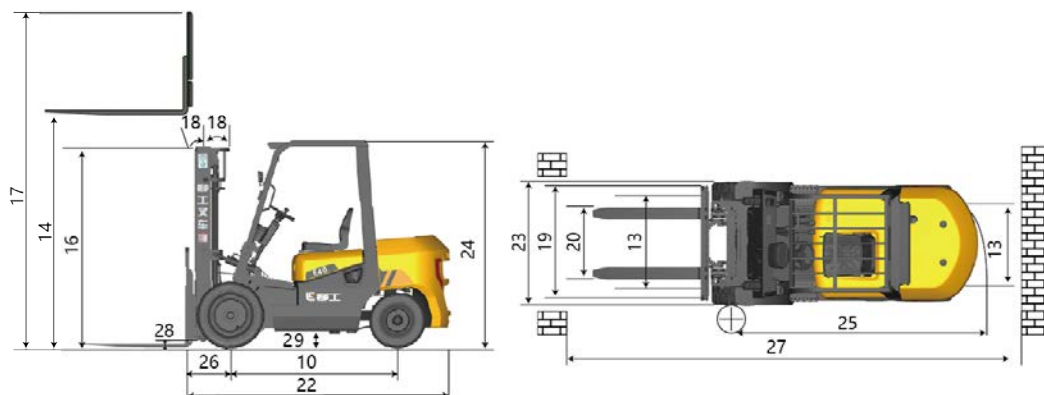


SPECIFICATION

General	Model	1			CPQYD40	
	Power Type	2			LPG/GAS	
	Load Capacity	3		kg	4000	
Weights	Load Center Distance	4	@ rated load center	mm	500	
	Service Weight	5	unloaded	kg	5480	
	Axle Load	6	loaded,front/rear	kg	8335/1145	
Tires		7	unloaded,front/ rear	kg	2225/3255	
	Tire Type	8			Pneumatic	
	Wheels	9	front / rear		2/2	
	Wheelbase	10		mm	1880	
	Tire Size	11	front		250-15-18PR	
		12	rear		7.00-12-12PR	
Mast	Tread Width	13	front/rear	mm	1180/1112	
	Max. Fork Height	14	with std 2-stage mast	mm	3000	
	Freelift	15	with std 2-stage mast	mm	130	
	Height, Upright Lowered	16	with std 2-stage mast	mm	2175	
	Height, Upright Extended	17	with std 2-stage mast	mm	4180	
	Mast Tilt, Fwd/Back	18	with std 2-stage mast	deg	6°/12°	
	Fork Carriage	19	width	mm	1380	
	Fork Spread	20	minimum/maximum	mm	330/1380	
	Fork Dimension	21	T x W x L	mm	122x50x1070	
	Chassis	Length to Fork Face	22	with std 2-stage mast	mm	2950
		Overall Width	23		mm	1420
Overhead Guard Height		24		mm	2175	
Turning Radius		25	minimum outside	mm	2680	
Fork Overhang		26	with std 2-stage mast	mm	510	
Min.right angle stacking aisle width		27	add load length and clearance	mm	4460	
Ground Clearance		28	loaded below mast	mm	145	
Performance		29	center of wheelbase	mm	175	
	Travel Speed	30	loaded/unloaded	km/h	18/19	
	Lift Speed	31	loaded/unloaded	mm/s	440/550	
	Lowering Speed	32	loaded/unloaded	mm/s	400/410	
	Max. Drawbar Pull	33	loaded	N	16475	
Systems	Max. Gradeability	34	loaded/unloaded	%	18 / 20	
	Brakes	35	service		Foot/Hyd	
36		parking			Hand /Mech	
Internal combustion	Engine	37	manufacturer		GCT	
		38	model		GK25	
		39	emission compliance		N/A	
		40	cylinders		4	
		41	displacement	L	2.488	
		42	rated power	kw/rpm	35.9/2300(LPG) 37.4/2300(GAS)	
		43	max. torque	N.m/rpm	176.5/1600	



LIUGONG

E SERIES



Engine	GCT
Fuel	LPG/GAS
Rated load	4000kg
Rated Power	37.4 kW

CPQYD40

***E SERIES INTERNAL COMBUSTION
COUNTERBALANCED FORKLIFT***

TOUGH WORLD. TOUGH EQUIPMENT.