

**Engine** Yuchai YC4D100 / 4.2 L  
**Fuel Type** Diesel  
**Capacity @ 600 mm LC** 5,000 kg

# CLG2050H

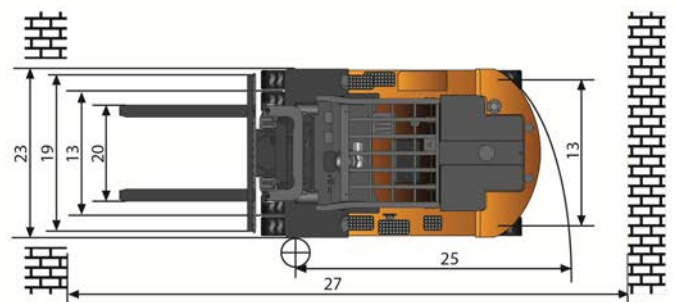
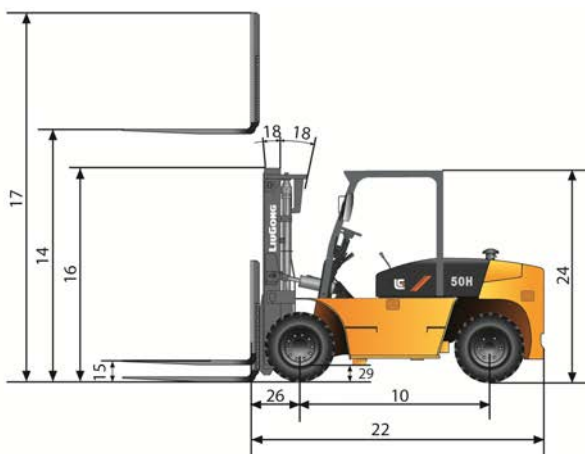
DIESEL  
PNEUMATIC TIRE FORKLIFTS



TOUGH WORLD. TOUGH EQUIPMENT.

# CLG2050H SPECIFICATIONS >>>

<b>General</b>	<b>Model</b>	1			CLG2050H	
	<b>Power Type</b>	2			Diesel	
	<b>Base Capacity</b>	3	@ rated load center	kg	5,000	
	<b>Load Center</b>	4		mm	600	
<b>Weights</b>	<b>Service Weight</b>	5	unloaded	kg	8,000	
	<b>Axle Load</b>	6	loaded / unloaded, front	kg	11,200 / 3,900	
		7	loaded / unloaded, rear	kg	1,800 / 4,100	
<b>Tires</b>	<b>Tire Type</b>	8			Pneumatic	
	<b>Wheels</b>	9	front / rear		4 / 2	
	<b>Wheelbase</b>	10		mm	2,250	
	<b>Tire Size</b>	11	front			8.25-15-14PR
		12	rear			8.25-15-14PR
13	<b>Tread Width</b>	front / rear			1,474 / 1,730	
<b>Mast</b>	<b>Max. Fork Height</b>	14	with std 2-stage mast	mm	3,000	
	<b>Freelift</b>	15	with std 2-stage mast	mm	200	
	<b>Height, Upright Lowered</b>	16	with std 2-stage mast	mm	2,534	
	<b>Height, Upright Extended</b>	17	with std 2-stage mast	mm	4,377	
	<b>Mast Tilt, Fwd/Back</b>	18	with std 2-stage mast	deg	6° / 12°	
	<b>Carriage</b>	19	width	mm	1,840	
	<b>Fork Spread</b>	20	minimum / maximum	mm	300 / 1,840	
	<b>Fork Dimensions</b>	21	T x W x L	mm	50 x 150 x 1,520	
<b>Chassis</b>	<b>Length to Fork Face</b>	22	with std 2-stage mast	mm	3,475	
	<b>Overall Width</b>	23		mm	2,040	
	<b>Overhead Guard Height</b>	24		mm	2,520	
	<b>Turning Radius</b>	25	minimum outside	mm	3,436	
	<b>Fork Overhang</b>	26	with std 2-stage mast	mm	577	
	<b>Right Angle Stack</b>	27	add load length and clearance	mm	4,956	
	<b>Ground Clearance</b>	28	minimum loaded	mm	203	
	29	center of wheelbase	mm		250	
<b>Performance</b>	<b>Travel Speed</b>	30	loaded / unloaded	km/h	26 / 28	
	<b>Lift Speed</b>	31	loaded / unloaded	m/s	0.48 / 0.53	
	<b>Lower Speed</b>	32	loaded / unloaded	m/s	0.55 / 0.40	
	<b>Max. Drawbar Pull</b>	33	loaded	kg	5,500	
	<b>Max. Gradeability</b>	34	loaded / unloaded	%	28 / 20	
<b>Systems</b>	<b>Brakes</b>	35	service		Foot / Air over Hyd	
		36	parking		Hand / Mech	
		37	manufacturer		Yuchai	
	<b>Engine</b>	38	model			YC 4D100
		39	emission compliance			CHN Stage III
		40	cylinders			4
		41	displacement	liter		4.20
		42	rated power	kW/rpm		73.5 / 2,200
		43	max. torque	N-m/rpm		400 / 1,500



Guangxi Liugong Machinery Co., Ltd.

No. 1 Liutai Road, Liuzhou, Guangxi 545007, PR China  
T: +86 772 3886124 E: overseas@liugong.com  
www.liugong.com

06/2017 Designed by LiuGong

Specifications and designs are subject to change without notice. Machines shown may include optional equipment.