

# CLG2080H-100H LIUGONG

FORKLIFT



Guangxi LiuGong Machinery Co.,Ltd.  
No. 1 Liutai Road, Liuzhou, Guangxi.  
545007  
PR China  
T: +86 0772 3886124  
E: [overseas@liugong.com](mailto:overseas@liugong.com)  
HQ: [www.liugong.com](http://www.liugong.com)  
MH: [www.lgforklift.cn](http://www.lgforklift.cn)

Like and follow us:



LIUGONG 102018-ENG

The LiuGong series of logos herein, including but not limited to word marks, device marks, letter of alphabet marks and combination marks, as the registered trademarks of Guangxi LiuGong Group Co., Ltd. are used by Guangxi LiuGong Machinery Co., Ltd. with legal permission, and shall not be used without permission. Specifications and designs are subject to change without notice. Illustrations and pictures may include optional equipment and may not include all standard equipment. Equipment and options varies by regional availability.

TOUGH WORLD. TOUGH EQUIPMENT.

# MAXIMIZE YOUR RETURN ON INVESTMENT

LiuGong's **customer-driven** design and **quality-focused** engineering creates lasting value that will deliver to your bottom line.

## DEPENDABLE POWER

Unmatched performance driven by the World-Class Engine.



## ERGONOMIC

Widen operating space and reasonable design can give the operator better experience.



## COMFORTABLE

The full hydraulic steering system allows for smooth steering in an ergonomic seating posture, hence improved operator's comfort.

## HIGH EFFICIENCY

Newly optimized hydraulic system provides excellent lifting speed, assisting you to finish work efficiently and safely.

## GOOD VIEW

The mast and overhead guard are designed for wider view, as well as operator's comfort and safety.



## MAINTAINING

The engine hood and rear hood with big angle for easy to maintain.



## PARTS

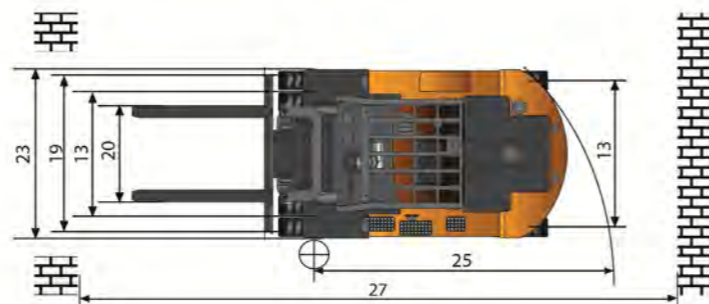
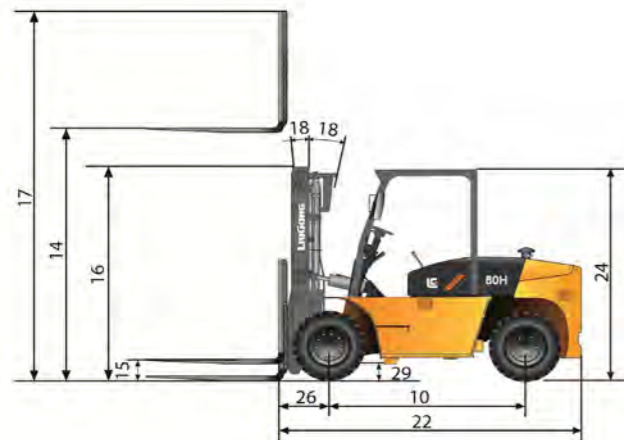
Using genuine LiuGong parts is key to keeping your costs low and your machine in top working order. Our extensive support network is always there when you need it, to maximize your business profitability.

## AFTER SALES SERVICE

As a customer of LiuGong you can feel confident that our dealers and regional offices will be there to support you with training, service and maintenance needed throughout the life of your machine.

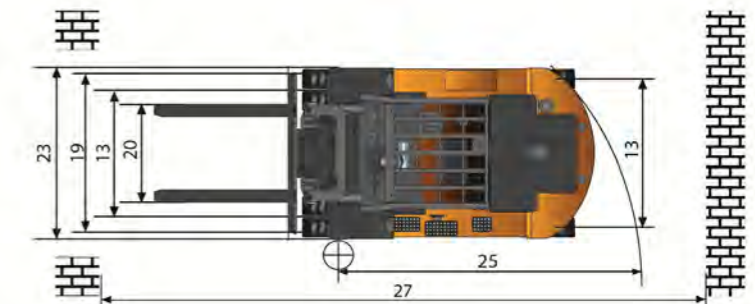
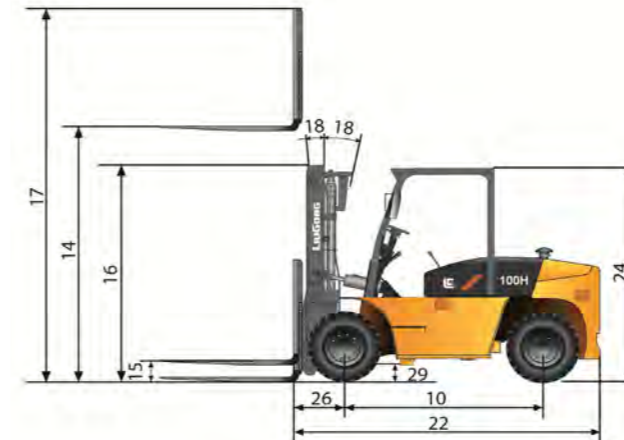
# SPECIFICATION

<b>General</b>	Model	1	CLG2080H	
	Power Type	2	Diesel	
	Base Capacity	3	@rated load center	kg 8,000
	Load Center	4	mm 600	
<b>Weights</b>	Service Weight	5	unloaded	kg 11,500
	Axle Load	6	loaded / unloaded, front	kg 17,800 / 5,600
		7	loaded / unloaded, rear	kg 1,700 / 5,900
<b>Tires</b>	Tire Type	8	Pneumatic	
	Wheels	9	front / rear 4 / 2	
	Wheelbase	10	mm 2,600	
	Tire Size	11	front	9.00-20-14PR
		12	rear	9.00-20-14PR
<b>Mast</b>	Tread Width	13	front / rear 1,600 / 1,720	
	Max. Fork Height	14	with std 2-stage mast	mm 3,000
	Free lift	15	with std 2-stage mast	mm 200
	Height, Upright Lowered	16	with std 2-stage mast	mm 2,696
	Height, Upright Extended	17	with std 2-stage mast	mm 4,145
	Mast Tilt, Fwd/Back	18	with std 2-stage mast	deg 6° / 12°
	Carriage	19	width	mm 2,210
	Fork Spread	20	minimum / maximum	mm 410 / 2,130
	Fork Dimensions	21	T x W x L	mm 70x170x1,520
	<b>Chassis</b>	Length to Fork Face	22	with std 2-stage mast
Overall Width		23	mm 2,210	
Overhead Guard Height		24	mm 2,646	
Turning Radius		25	minimum outside	mm 3,780
Fork Overhang		26	with std 2-stage mast	mm 710
Right Angle Stack		27	add load length and clearance	mm 5,300
Ground Clearance		28	minimum loaded	mm 290
		29	center of wheelbase	mm 300
<b>Performance</b>		Travel Speed	30	loaded / unloaded
	Lift Speed	31	loaded / unloaded	m/s 0.36 / 0.43 0.41 / 0.44
	Lower Speed	32	loaded / unloaded	m/s 0.45 / 0.32 0.48 / 0.35
	Max. Drawbar Pull	33	loaded	kg 5,600 6,500
	Max. Gradeability	34	loaded / unloaded	% 25 / 20 30 / 28
	<b>Systems</b>	Brakes	35	service
36			parking	Hand / Mech Hand / Mech
Engine		37	manufacturer	Yuchai Isuzu
		38	model	YC4A125 A-6BG1QC-02
		39	emission compliance	CHN Stage III EU Stage I
		40	cylinders	4 6
		41	displacement	liters 4.84 6.49
		42	rated power	kW/rpm 92 / 2,200 82.4 / 2,000
		43	Max. torque	N · m/rpm 480 / 1,400-1,800 416.8 / 1,500



# SPECIFICATION

<b>General</b>	Model	1	CLG2100H	
	Power Type	2	Diesel	
	Base Capacity	3	@rated load center	kg 10,000
	Load Center	4	mm 600	
<b>Weights</b>	Service Weight	5	unloaded	kg 12,800
	Axle Load	6	loaded / unloaded, front	kg 20,300 / 5,620
		7	loaded / unloaded, rear	kg 2,500 / 7,180
<b>Tires</b>	Tire Type	8	Pneumatic	
	Wheels	9	front / rear 4 / 2	
	Wheelbase	10	mm 2,800	
	Tire Size	11	front	9.00-20-14PR
		12	rear	9.00-20-14PR
<b>Mast</b>	Tread Width	13	front / rear 1,600 / 1,720	
	Max. Fork Height	14	with std 2-stage mast	mm 3,000
	Free lift	15	with std 2-stage mast	mm 200
	Height, Upright Lowered	16	with std 2-stage mast	mm 2,696
	Height, Upright Extended	17	with std 2-stage mast	mm 4,145
	Mast Tilt, Fwd/Back	18	with std 2-stage mast	deg 6° / 12°
	Carriage	19	width	mm 2,210
	Fork Spread	20	minimum / maximum	mm 410 / 2,130
	Fork Dimensions	21	T x W x L	mm 80x175x1,520
	<b>Chassis</b>	Length to Fork Face	22	with std 2-stage mast
Overall Width		23	mm 2,210	
Overhead Guard Height		24	mm 2,646	
Turning Radius		25	minimum outside	mm 4,060
Fork Overhang		26	with std 2-stage mast	mm 720
Right Angle Stack		27	add load length and clearance	mm 5,580
Ground Clearance		28	minimum loaded	mm 290
		29	center of wheelbase	mm 300
<b>Performance</b>		Travel Speed	30	loaded / unloaded
	Lift Speed	31	loaded / unloaded	m/s 0.36 / 0.43 0.41 / 0.44
	Lower Speed	32	loaded / unloaded	m/s 0.45 / 0.32 0.48 / 0.35
	Max. Drawbar Pull	33	loaded	kg 5,600 6,500
	Max. Gradeability	34	loaded / unloaded	% 25 / 20 30 / 28
	<b>Systems</b>	Brakes	35	service
36			parking	Hand / Mech Hand / Mech
Engine		37	manufacturer	Yuchai Isuzu
		38	model	YC4A125 A-6BG1QC-02
		39	emission compliance	CHN Stage III EU Stage I
		40	cylinders	4 6
		41	displacement	liters 4.84 6.49
		42	rated power	kW/rpm 92 / 2,200 82.4 / 2,000
		43	Max. torque	N · m/rpm 480 / 1,400-1,800 416.8 / 1,500

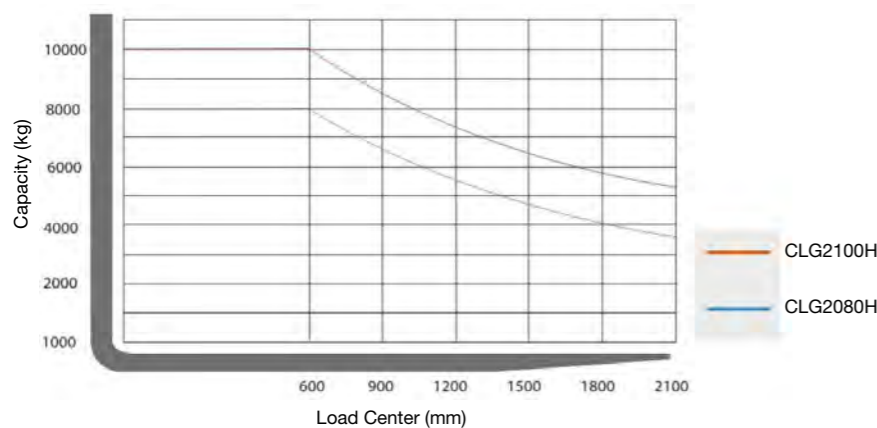


# CAPACITY

Mast type	Maximum Fork Height (MFH)	Mast Overall Lowered Height (OAL)	Free Lift with Load Backrest	Mast Tilt Angle (F/B)	Rated Load Capacity				Total Weight with Standard Forks	
					With Standard Forks		With Sideshifter			
					2080H	2100H	2080H	2100H	2080H	2100H
	mm	mm	mm	degree	kg @ (600mm LC)		kg @ (600mm LC)		Kg	
Standard 2-Stage	3000	2696	200	6 / 12	8000	10000	7430	9340	11500	12500
	3500	2946	200	6 / 12	8000	10000	7430	9340	11610	12610
	4000	3246	200	6 / 12	8000	10000	7430	9340	11710	12710
	4500	3496	200	6 / 12	8000	10000	7430	9340	11800	12800
	5000	3746	200	6 / 6	7780	9450	7230	8820	11980	12980
	5500	4046	200	3 / 6	7430	9000	6890	8390	12180	13180
6000	4296	200	3 / 6	7000	8550	6490	7960	12280	13280	

Mast type	Maximum Fork Height (MFH)	Mast Overall Lowered Height (OAL)	Free Lift with Load Backrest*	Mast Tilt Angle (F/B)	Rated Load Capacity				Total Weight with Standard Forks	
					With Standard Forks		With Sideshifter			
					2080H	2100H	2080H	2100H	2080H	2100H
	mm	mm	mm	degree	kg @ (600mm LC)		kg @ (600mm LC)		Kg	
Full Free 2-Stage	3000	2716	1500	6 / 12	8000	10000	7430	9340	11605	12605

Mast type	Maximum Fork Height (MFH)	Mast Overall Lowered Height (OAL)	Free Lift with Load Backrest*	Mast Tilt Angle (F/B)	Rated Load Capacity				Total Weight with Standard Forks	
					With Standard Forks		With Sideshifter			
					2080H	2100H	2080H	2100H	2080H	2100H
	mm	mm	mm	degree	kg @ (600mm LC)		kg @ (600mm LC)		Kg	
Full Free 3-Stage	3500	2441	1160	6 / 12	7430	9340	6860	8680	12023	13023
	4500	2773	1492	6 / 12	7430	9340	6860	8680	12235	13235
	6000	3271	1990	3 / 6	6490	7960	5920	7300	12633	13633



**Note:**  
Vertical axle stands for load capacity while horizontal axle stands for load center, Load center is the distance counted from the front of the fork. The base point of the standard load is the center point of the cubic with the same 1200mm dimension in length, width and height. The load capacity should be down if mast tilt forward or using non-standard forks of loading goods with extra width. Please realize the different load capacity between different load centers according to load chart.

# STANDARD CONFIGURATION

## POWER SYSTEM

- Yuchai 4A125 diesel engine
- Two-speed automatic transmission
- High strength drive axle
- Heavy duty steering axle
- Elevated air pre-cleaner
- Fuel system pre-filter
- Radiator
- Vertical exhaust

## HYDRAULIC SYSTEM

- 2-funtion hydraulic valve
- Hydrostatic steering
- Oil filter for intake and return

## ELECTRIC SYSTEM

- 2 batteries
- Front flood lights
- Front steering lights
- Rear combination lights
- Rear working lights
- Buzzer for back off

## UNDERCARRIAGE

- High strength frame
- 1 piece counterweight
- Tow pin
- Air filled pneumatic drive tires
- Air filled pneumatic steer tires

## MAST

- 3.0M Standard 2-stage mast
- 2210mm Wide shaft type carriage
- Load backrest
- 1520mm long shaft type pallet forks

## OPERATOR STATION

- Overhead guard
- Locks for engine hood
- Vinyl cushion seat with seat belt
- Ignition lock
- Display with alarms, fuel rate, water temperature, working hour
- Tilt steering column
- Inching, brake and accelerator pedals
- Hand parking
- Floor mat

# OPTIONAL CONFIGURATION

## POWER SYSTEM

- Isuzu A-6BG1QC-02 diesel engine
- 2nd refined air filter
- Middle exhaust

## ELECTRIC SYSTEM

- Amber warning light
- License plate light

## UNDERCARRIAGE

- Solid pneumatic drive tires
- Solid pneumatic steer tires

## HYDRAULIC SYSTEM

- 3-funtion hydraulic valve
- 4-funtion hydraulic valve
- Hydraulic oil radiator

## MAST

- Full free 2-stage mast
- Full free 3-stage mast
- Longer shaft type pallet forks

## OPERATION STATION

- Enclosed cabin
- Heater for cabin
- Operator fan
- Fire extinguisher
- Anti-corrosion lifting and tilting cylinde
- Protective cover for tilt cylinde
- Master key
- Hydraulic electronic shifting
- Half-suspension vinyl seat(tiancheng)
- Grammer full-suspension vinyl seat