

Creating a  Better Future



Liuzhou Liugong Forklift Co., Ltd.
No. 1 Yanghe Avenue, Yanghe Industrial New Zone,
Liuzhou City, Guangxi Zip Code (P): 545006
Sales Hotline (T): 0772-2040713
Service Hotline (T): 0772-2040720/ 0772-2040721
E-mail (E): liugonglrs@liugong.com
Website (W): www.lgforklift.cn



Official website (OW)



Media Platform (MP)

LG-PB-CPCD160E -2310

Liugong is committed to updating, upgrading, and improving products. The Company reserves the right to modify designs and parameters without prior informing of users. The product configuration and appearance shown in the picture are for reference only, and the actual products may vary.

The logos and marks in this brochure are the trademarks registered by Guangxi Liugong Group Co., Ltd. The use of such logos and marks has been legally authorized to the Company. Others shall not use them without prior authorization.



**12-18T Counter-Balanced
Internal Combustion Forklift**



- [Safe and Reliable]**
- [Comfortable Operation]**
- [Energy Conservation and Environmental Protection]**
- [Ease of Maintenance]**

TOUGH WORLD.TOUGH EQUIPMENT.

Safe and Reliable

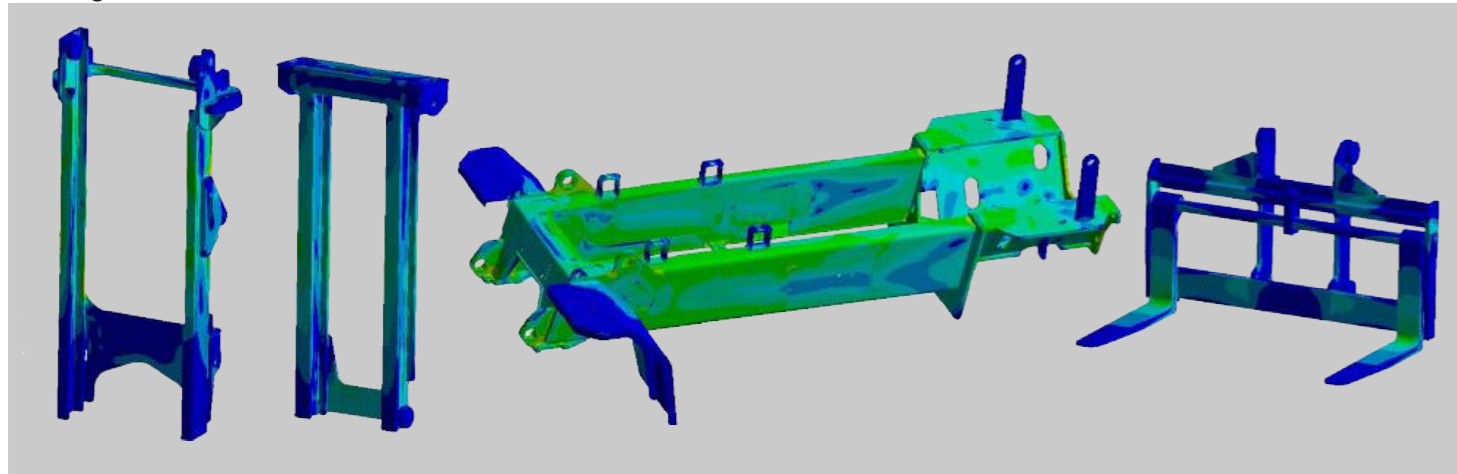
- Cummins Engine
- LiuGong automatic shift gearbox with self-owned intellectual property rights. The number of the gearbox in use is over 10,000 units;
- LiuGong wet-type brake drive axle (optional configuration) with independent intellectual property rights features super strong bearing capacity. The number of the drive axle in use is 20,000;
- Four-in-one combined single-layer radiator ensures continuous operation under extreme working conditions such as high temperatures.



Comfortable Operation



- hydraulic braking system ensures safe and smooth parking;
- The OPS system (optional configuration) brings greater safety;
- The structural parts designed and manufactured through CAE simulation analysis feature super durability and longer service life.

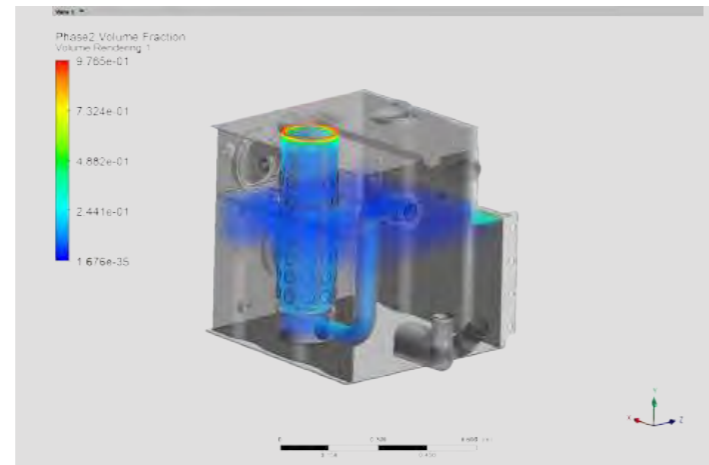


- Wide-view mast design expands the front view by 8%;
- Suspended overhead guard improves the driving comfort;
- Automatic gear shifting device with independent intellectual property right brings smooth gear shifting operations and nice driving experience.



Energy Conservation and Environment Protection

- Cummins B5.9 engine (standard configuration) lowers the use cost without the addition of diesel exhaust fluid;
- LiuGong patented hydraulic defoaming technology lowers the temperature of hydraulic oil, Prolonged oil change intervals, and increase the service life of hydraulic components;
- Aluminum alloy fuel tank ensures the cleanness of diesel fuel and guarantees long service life of engine components.



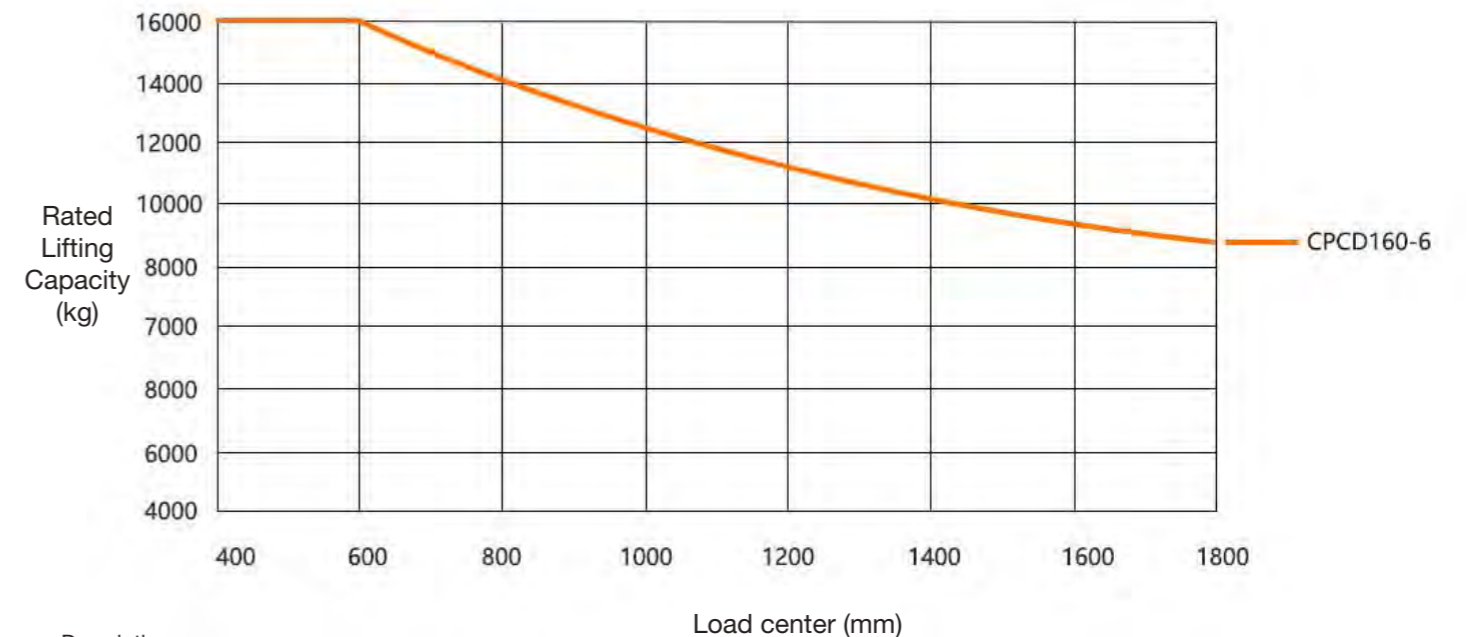
Ease of Maintenance

- Centrally inspect and repair the electrical control cabinet, and open the hood to expose air filters, oil filters and other maintenance components. The electric control cabinet is designed in an integrated form to facilitate centralized overhaul. Service technicians can easily access to air filter, oil filter and other maintenance parts and components by simply opening the hood.



Mast load capacity

Mast type	Max. Lift Height (mm)	Mast height (mm)	Mast tilt (°)	Free lift height (mm)	Load capacity (Load center distance 600mm) (kg)	Machine weight (with standard fork) (kg)
					With standard fork	
Secondary ordinary mast	3000	3365	6/12	0	16000	19700
	3500	3495	6/12	0	16000	19765
	4000	3745	6/12	0	16000	19973
	4500	3995	6/12	0	16000	20081
	5000	4295	6/6	0	16000	20213
	5500	4545	3/6	0	15000	20320
	6000	4845	3/6	0	14000	20461
	6500	5095	3/6	0	13000	20477



Description:

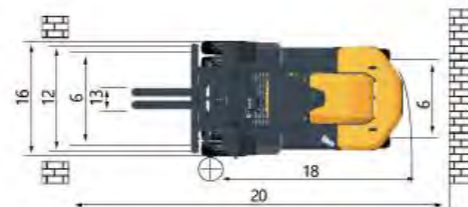
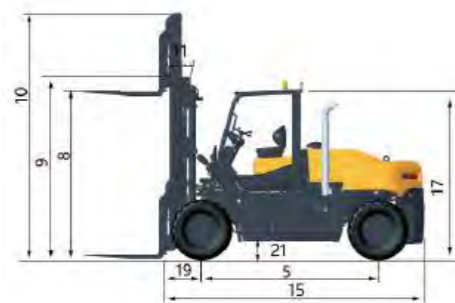
The vertical axis means the rated lifting capacity, and the horizontal axis means the load center. The load center is calculated from the front of the fork. The base point of the standard load refers to the center of a cube with a side length of 1,200 mm.

The rated lifting capacity will be reduced when the mast is tilted forward, non-standard forks are used, or the loads exceeding normal width are loaded.

Users can refer to the rated lifting capacity curve for the rated lifting capacity at various load centers.

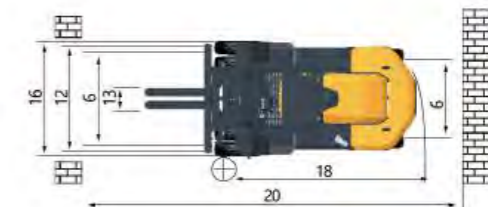
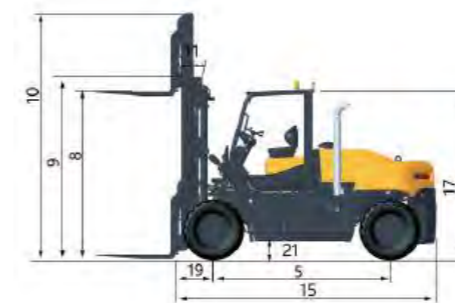
Performance Parameters

Overall	Model	1		CPCD120-09	CPCD135-06	
	Type of engine	2		Diesel	Diesel	
	Rated lifting capacity	3	Rated load center distance	kg	12000	13500
	Rated load center distance	4		mm	900	600
	Wheel base	5		mm	3250	3250
	Track	6	Front wheel/rear wheel	mm	1975/1935	1975/1935
Weight	Dead Weight	7	No-load	kg	19300	18750
	Maximum lifting height	8	Two-stage standard mast	mm	3000	3000
Mast	Full height with mast not raised	9	Two-stage standard mast	mm	3365	3365
	Full height with mast not lowered	10	Two-stage standard mast	mm	4865	4865
	Mast tilt angle (forward/backward)	11	Two-stage standard mast	°	6°/12°	6°/12°
	Fork carriage	12	Width	mm	2490	2490
	Adjustable range of the fork	13	Min/Max	mm	500-2370	500-2370
	Fork dimension	14	Thickness x width x length	mm	85 x 200 x 1820	85 x 200 x 1370
Chassis	Overall length (to front end of the fork)	15	Two-stage standard mast	mm	4906	4906
	Overall width	16		mm	2663	2663
	Overhead guard height	17		mm	3106	3106
	Min. turning radius	18		mm	4650	4650
	Front overhang	19		mm	796	796
	Right angle stack	20		mm	7200	7200
	Minimum ground clearance	21	At mast (no-load)	mm	275	275
Performance	Travel speed	22	Full load/unloaded	km/h	26/30	26/30
	Lift speed	23	Full load/unloaded	mm/s	370/390	370/390
	Lower speed	24	Full load/unloaded	mm/s	400	400
	Maximum gradeability	25	Full load/unloaded	%	26/30	26/30
	Service brake	26			Hydraulic Brake	Hydraulic Brake
System Configuration:	Parking	27			Hydraulic release mechanical lock	Hydraulic release mechanical lock
	Engine	28	Brand		Dongfeng Cummins	Dongfeng Cummins
		29	Model		B5.9CS IV -175C	B5.9CS IV -175C
		30	Emission stage		China IV	China IV
		31	Number of cylinder		6	6
		32	Displacement	L	5.9	5.9
		33	Rated Power	kW/rpm	129/2200	129/2200
		34	Max.torque	N.m/rpm	760/1300	760/1300
	Gearbox	35	Manufacturer		LiuGong	LiuGong
		36	Model		PTF205	PTF205
		37	Gears		Front 2/ Rear 1	Front 2/ Rear 1
	Drive axle	38	Manufacturer		LiuGong	LiuGong
		39	Model		ADF700	ADF700
	Tire	Type of tire	40			Pneumatic tire
Tires number		41	Front wheel/rear wheel		4/2	4/2
Tire size		42	Front tire		12.00-20-20PR	12.00-20-20PR
		43	Rear wheel		12.00-20-20PR	12.00-20-20PR



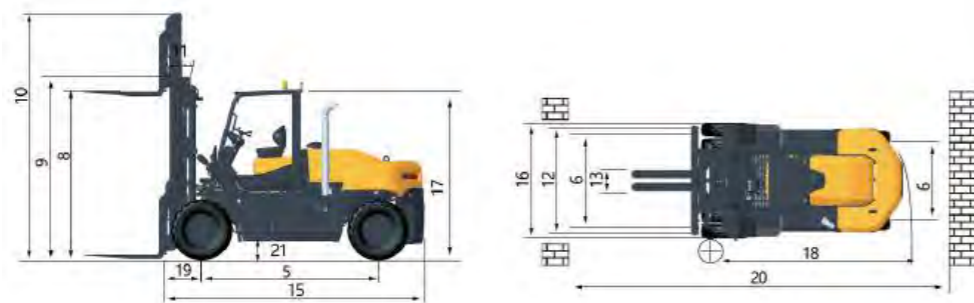
Performance Parameters

Overall	Model	1		CPCD150-06	CPCD160-06	
	Type of engine	2		Diesel	Diesel	
	Rated lifting capacity	3	Rated load center distance	kg	15000	16000
	Rated load center distance	4		mm	600	600
	Wheel base	5		mm	3250	3250
	Track	6	Front wheel/rear wheel	mm	1975/1935	1975/1935
Weight	Dead Weight	7	No-load	kg	19200	19770
	Maximum lifting height	8	Two-stage standard mast	mm	3000	3000
Mast	Full height with mast not raised	9	Two-stage standard mast	mm	3365	3365
	Full height with mast not lowered	10	Two-stage standard mast	mm	4865	4865
	Mast tilt angle (forward/backward)	11	Two-stage standard mast	°	6°/12°	6°/12°
	Fork carriage	12	Width	mm	2490	2490
	Adjustable range of the fork	13	Min/Max	mm	500-2370	500-2370
	Fork dimension	14	Thickness x width x length	mm	85 x 200 x 1370	85 x 200 x 1370
Chassis	Overall length (to front end of the fork)	15	Two-stage standard mast	mm	4906	4906
	Overall width	16		mm	2663	2663
	Overhead guard height	17		mm	3106	3106
	Min. turning radius	18		mm	4650	4650
	Front overhang	19		mm	796	796
	Right angle stack	20		mm	7200	7200
	Minimum ground clearance	21	At mast (no-load)	mm	275	275
Performance	Travel speed	22	Full load/unloaded	km/h	26/30	26/30
	Lift speed	23	Full load/unloaded	mm/s	370/390	370/390
	Lower speed	24	Full load/unloaded	mm/s	400	400
	Maximum gradeability	25	Full load/unloaded	%	26/30	26/30
	Service brake	26			Hydraulic Brake	Hydraulic Brake
System Configuration:	Parking	27			Hydraulic release mechanical lock	Hydraulic release mechanical lock
	Engine	28	Brand		Dongfeng Cummins	Dongfeng Cummins
		29	Model		B5.9CS IV -175C	B5.9CS IV -175C
		30	Emission stage		China IV	China IV
		31	Number of cylinder		6	6
		32	Displacement	L	5.9	5.9
		33	Rated Power	kW/rpm	129/2200	129/2200
		34	Max.torque	N.m/rpm	760/1300	760/1300
	Gearbox	35	Manufacturer		LiuGong	LiuGong
		36	Model		PTF205	PTF205
		37	Gears		Front 2/ Rear 1	Front 2/ Rear 1
	Drive axle	38	Manufacturer		LiuGong	LiuGong
		39	Model		ADF700	ADF700
	Tire	Type of tire	40			Pneumatic tire
Tires number		41	Front wheel/rear wheel		4/2	4/2
Tire size		42	Front tire		12.00-20-20PR	12.00-20-20PR
		43	Rear wheel		12.00-20-20PR	12.00-20-20PR



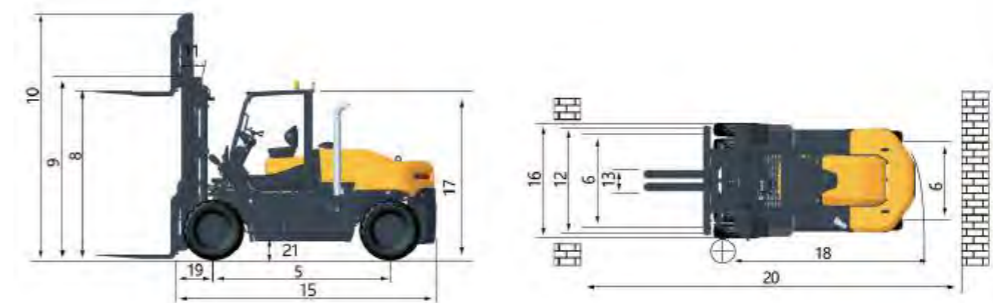
Performance Parameters

Overall	Model	1		CPCD140-09	CPCD150-09	
	Type of engine	2		Diesel	Diesel	
Rated lifting capacity	Rated load center distance	3	kg	14000	15000	
	Rated load center distance	4	mm	900	900	
Wheel base	5	mm	3500	3500		
Track	Front wheel/rear wheel	6	mm	1975/1935	1975/1935	
	Dead Weight	7	kg	22920	22920	
Mast	Maximum lifting height	8	mm	3000	3000	
	Full height with mast not raised	9	mm	3340	3340	
	Full height with mast not lowered	10	mm	4840	4840	
	Mast tilt angle (forward/backward)	11	°	6°/12°	6°/12°	
	Fork carriage	12	mm	2590	2590	
	Adjustable range of the fork	13	mm	610-2150	610-2150	
Chassis	Fork dimension	14	mm	95x200x1820	95x200x1820	
	Overall length (to front end of the fork)	15	mm	5285	5285	
	Overall width	16	mm	2663	2663	
	Overhead guard height	17	mm	3300	3300	
	Min. turning radius	18	mm	4750	4750	
	Front overhang	19	mm	935	935	
Performance	Right angle stack	20	mm	7745	7745	
	Minimum ground clearance	21	mm	275	275	
	Travel speed	22	km/h	28/30	28/30	
	Lift speed	23	mm/s	370/420	370/420	
	Lower speed	24	mm/s	400/400	400/400	
System Configuration:	Maximum gradeability	25	%	28/30	28/30	
	Service brake	26		Hydraulic Brake	Hydraulic Brake	
	Parking	27		Hydraulic release mechanical lock	Hydraulic release mechanical lock	
	Engine	Brand	28		Dongfeng Cummins	Dongfeng Cummins
		Model	29		YCA07175-T400	YCA07175-T400
		Emission stage	30		China IV	China IV
		Number of cylinder	31		6	6
		Displacement	32	L	6.7	6.7
		Rated Power	33	kW/rpm	129/2200	129/2200
	Gearbox	Max.torque	34	N.m/rpm	760/1400	760/1400
Manufacturer		35		LiuGong	LiuGong	
Model		36		PTF205	PTF205	
Gears		37		Front 2/ Rear 1	Front 2/ Rear 1	
Drive axle	Manufacturer	38		LiuGong	LiuGong	
	Model	39		AWF700	AWF700	
Tire	Type of tire	40		Pneumatic tire	Pneumatic tire	
	Tires number	41		4/2	4/2	
	Front tire	42		12.00-20-20PR	12.00-20-20PR	
	Rear wheel	43		12.00-20-20PR	12.00-20-20PR	



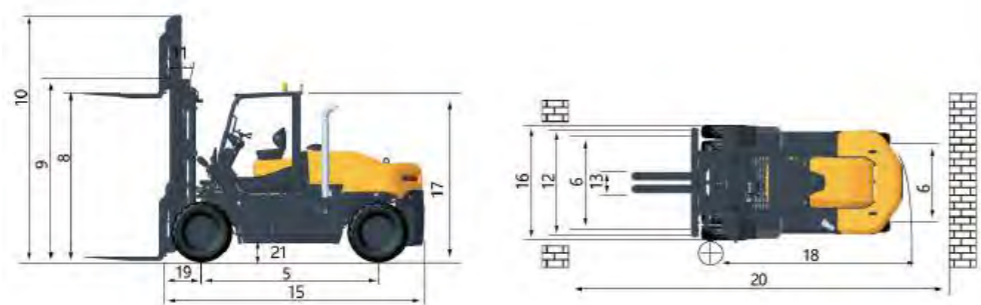
Performance Parameters

Overall	Model	1		CPCD160-09	CPCD180-06	
	Type of engine	2		Diesel	Diesel	
Rated lifting capacity	Rated load center distance	3	kg	16000	18000	
	Rated load center distance	4	mm	900	600	
Wheel base	5	mm	3500	3500		
Track	Front wheel/rear wheel	6	mm	1975/1935	1975/1935	
	Dead Weight	7	kg	23300	23400	
Mast	Maximum lifting height	8	mm	3000	3000	
	Full height with mast not raised	9	mm	3340	3340	
	Full height with mast not lowered	10	mm	4840	4840	
	Mast tilt angle (forward/backward)	11	°	6°/12°	6°/12°	
	Fork carriage	12	mm	2590	2590	
	Adjustable range of the fork	13	mm	610-2150	610-2150	
Chassis	Fork dimension	14	mm	95x200x1820	95x200x1520	
	Overall length (to front end of the fork)	15	mm	5285	5285	
	Overall width	16	mm	2663	2663	
	Overhead guard height	17	mm	3300	3300	
	Min. turning radius	18	mm	4750	4750	
	Front overhang	19	mm	935	935	
Performance	Right angle stack	20	mm	7745	7745	
	Minimum ground clearance	21	mm	275	275	
	Travel speed	22	km/h	28/30	28/30	
	Lift speed	23	mm/s	370/420	350/420	
	Lower speed	24	mm/s	400/400	400/400	
System Configuration:	Maximum gradeability	25	%	28/30	28/30	
	Service brake	26		Hydraulic Brake	Hydraulic Brake	
	Parking	27		Hydraulic release mechanical lock	Hydraulic release mechanical lock	
	Engine	Brand	28		Dongfeng Cummins	Dongfeng Cummins
		Model	29		YCA07175-T400	YCA07175-T400
		Emission stage	30		China IV	China IV
		Number of cylinder	31		6	6
		Displacement	32	L	6.7	6.7
		Rated Power	33	kW/rpm	129/2200	129/2200
	Gearbox	Max.torque	34	N.m/rpm	760/1400	760/1400
Manufacturer		35		LiuGong	LiuGong	
Model		36		PTF205	PTF205	
Gears		37		Front 2/ Rear 1	Front 2/ Rear 1	
Drive axle	Manufacturer	38		LiuGong	LiuGong	
	Model	39		AWF700	AWF700	
Tire	Type of tire	40		Pneumatic tire	Pneumatic tire	
	Tires number	41		4/2	4/2	
	Front tire	42		12.00-20-20PR	12.00-20-20PR	
	Rear wheel	43		12.00-20-20PR	12.00-20-20PR	



Performance Parameters

Overall	Model	1		CPCD150-12	CPCD160-12	CPCD180-12	
	Type of engine	2		Diesel	Diesel	Diesel	
	Rated lifting capacity	3	Rated load center distance	kg	15000	16000	18000
	Rated load center distance	4		mm	1200	1200	1200
	Wheel base	5		mm	3750	3750	4000
	Track	6	Front wheel/rear wheel	mm	1975/1935	1975/1935	1975/1935
Weight	Dead Weight	7	No-load	kg	24200	24500	24800
	Maximum lifting height	8	Two-stage standard mast	mm	3000	3000	4000
Mast	Full height with mast not raised	9	Two-stage standard mast	mm	3340	3340	3840
	Full height with mast not lowered	10	Two-stage standard mast	mm	4840	4840	5840
	Mast tilt angle (forward/backward)	11	Two-stage standard mast	°	6°/12°	6°/12°	6°/12°
	Fork carriage	12	Width	mm	2590	2590	2590
	Adjustable range of the fork	13	Min/Max	mm	610-2150	610-2150	900-2150
	Fork dimension	14	Thickness x width x length	mm	100x200x2440	100x200x2440	110x200x2440
Chassis	Overall length (to front end of the fork)	15	Two-stage standard mast	mm	5535	5535	5535
	Overall width	16		mm	2663	2663	2663
	Overhead guard height	17		mm	3300	3300	3300
	Min. turning radius	18		mm	5050	5050	5600
	Front overhang	19		mm	1040	1040	1040
	Right angle stack	20		mm	8565	8565	9110
Performance	Minimum ground clearance	21	At mast (no-load)	mm	275	275	275
	Travel speed	22	Full load/unloaded	km/h	26/29	26/29	26/29
	Lift speed	23	Full load/unloaded	mm/s	360/420	360/420	360/420
	Lower speed	24	Full load/unloaded	mm/s	400/400	400/400	400/400
	Maximum gradeability	25	Full load/unloaded	%	28/30	28/30	28/30
System Configuration:	Service brake	26		Hydraulic Brake	Hydraulic Brake	Hydraulic Brake	
	Parking	27		Hydraulic release mechanical lock	Hydraulic release mechanical lock	Hydraulic release mechanical lock	
	Engine	28	Brand	Cummins	Cummins	Cummins	
		29	Model	B7	B7	B7	
		30	Emission stage	China IV	China IV	China IV	
		31	Number of cylinder	6	6	6	
		32	Displacement	L	6.7	6.7	
		33	Rated Power	kW/rpm	150/2200	150/2200	150/2200
	Gearbox	34	Max.torque	N.m/rpm	890/1400	890/1400	890/1400
		35	Manufacturer	ZF	ZF	ZF	
		36	Model	171	171	171	
		37	Gears	Front 3/ Rear 3	Front 3/ Rear 3	Front 3/ Rear 3	
	Drive axle	38	Manufacturer	LiuGong	LiuGong	LiuGong	
		39	Model	AWF700	AWF700	AWF700	
Tire	Type of tire	40		Pneumatic tire	Pneumatic tire	Pneumatic tire	
	Tires number	41	Front wheel/rear wheel	4/2	4/2	4/2	
	Tire size	42	Front tire	12.00-20-28PR	12.00-20-28PR	12.00-20-28PR	
		43	Rear wheel	12.00-20-20PR	12.00-20-20PR	12.00-20-28PR	



Main Configuration Table

Standard configuration

High exhaust	Transmission filter remote external	Transmission oil dipstick	Dry brake drive axle
Pneumatic tires (common)	hand operated control lever	Hydraulic level gauge	Adjustable steering gear
Driver's seat (seat belt)	Overhead guard	Hood lock	cup holder
Engine tachometer	Engine coolant temperature gauge	Fuel level gauge	Torque converter oil temperature gauge
Gear display meter	Speedometer	Operating hour meter	Warning Light
Dual rear headlights	USB charging port	USB charging port	Drawbar pin
Hydraulic distance adjustment fork (tandem shaft type)			

Optional configurations

Hydraulic distance adjustment fork (tandem shaft type)	Wet brake drive axle	Solid tires (normal)	Electro-hydraulic control
Tilt cylinder dustproof sheath	Shock-absorbing seat, seat belt (retractable type)	semi-suspension seat	Full-suspension seat
Suspended seat	Overhead guard (Windsheild)	Overhead guard (windshield resistant to 400°C)	Pick and place cab
Overall rollover cab	Universal lock cylinder	Full metal top cover	Front Wiper
Rear wiper	Front sunshade	Rear sunshade	License plate light
Straight-line laser warning light (Left/rear/right sides)	Blue light warning light (forward/reverse)	A/C (Cold & Warm)	Electric fan
Reverse camera	Driving recorder	Backup speech (Chinese)	Fleet Management System
Speech alarm for backup and steering	Speed limiter (speed limit + alarm)	Tool box	Custom paint
Fire extinguisher (2 pieces*2kg)			